

PARTS CATALOGUE

F4MHC (68D4)

F4AMH'04 (68D4)

FOREWORD

This Parts Catalogue is related to the parts for the model(s) on the cover page. When you are ordering replacement parts, please refer to this Parts Catalogue and quote both part numbers and part names correctly.

1. Modifications or additions which have been made after the issue of the Parts Catalogue will be announced in the Yamaha Parts News.
It is advisable that you make the necessary corrections to the Parts Catalogue according to the Yamaha Parts News.

2. Abbreviations

The following abbreviations are used in this Parts Catalogue.

“UR” Use specified parts number.

“UN” Use as many as needed.

“AP” Alternate Parts

“LM” Locally Made (Parts need to be ordered locally)

“F#” Frame No. (Applicable machine No.)

“O/S” Over Size

3. The number of components for assembly

- Parts, which are to be supplied in an assembly, are listed with a dot (.) in front of the part name as shown below.
- The numeral appearing to the right of each component part indicates the quantity of parts for each assembly unit.

PART NO.	DESCRIPTION	Q'TY	REMARKS
2F5-83310-60	FRONT FLASHER LIGHT ASSY	2	
115-83311-60	.BULB (6V-18W)	1	

4. Applicable colours of graphics are represented in the “REMARKS” as shown below.

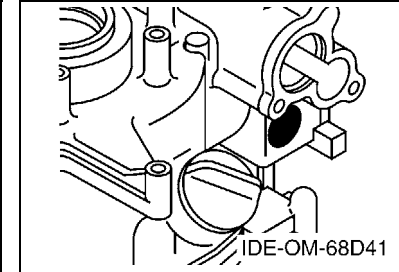
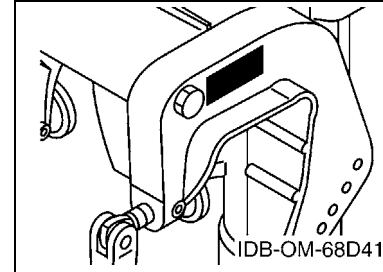
PART NO.	DESCRIPTION	Q'TY	REMARKS
2N4-24110-00-X5	FUEL TANK COMP.	2	MXR
3J1-24240-10	.GRAPHIC, FUEL TANK	1	FOR MXR

5. Note that the illustrations for reference in finding parts numbers are not to be used for assembling. When assembling, please use the applicable service manual.

6. The asterisk (*) before a reference number indicates modified items after the first edition.

7. Applicable Serial No.

Engine Serial No.



8. Applicable Engine Starting Serial No.

Model	Serial No.	Model	Serial No.
F4	68D-1011477	F4A	68D-1011477

9. Applicable Colour Code

Abbreviation	Colour Name	Colour Code
DBNM2	DARK BLUISH GRAY METALLIC 2	004D

10. Quantity Column Information

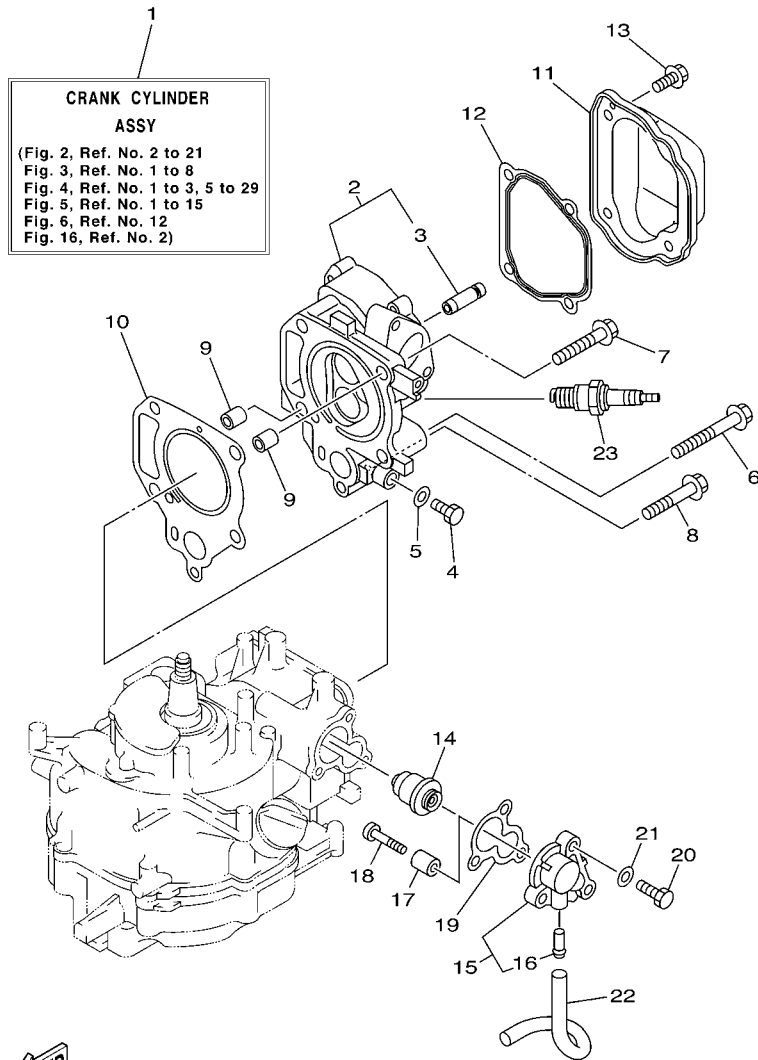
Column No.	Name Of Q'ty Column	Applicable Model
1	F4	F4MHC,F4AMH

CONTENTS

TOP COWLING	A4
CYLINDER. CRANKCASE 1	A5
CRANKSHAFT. PISTON	A6
CYLINDER. CRANKCASE 2	A7
VALVE	B2
INTAKE	B3
CARBURETOR	B4
FUEL 1	B5
FUEL 2	B6
STARTER	C1
GENERATOR	C3
BOTTOM COWLING	C4
STEERING	C5
CONTROL	C7
BRACKET	D1
UPPER CASING	D3
LOWER CASING. DRIVE 1	D4
LOWER CASING. DRIVE 2	D6
FUEL TANK	D7
REPAIR KIT 1	E1
REPAIR KIT 2	E2

INDEX

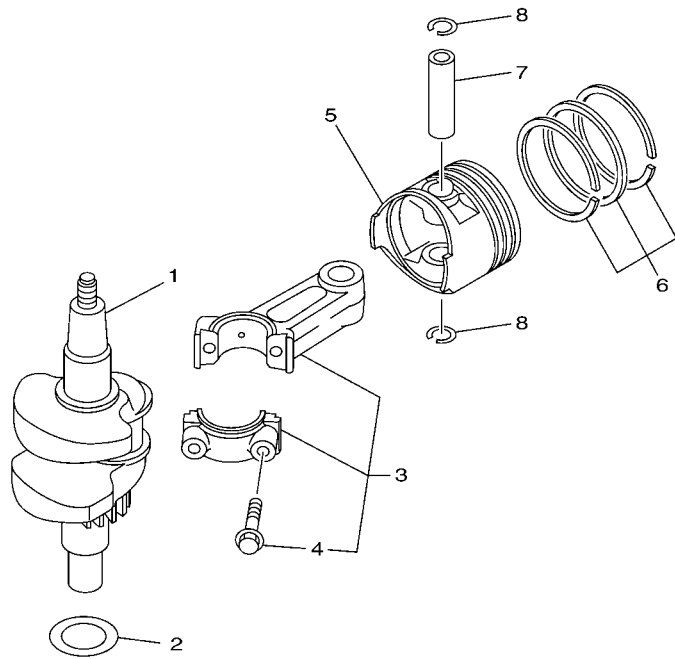
NUMERICAL INDEX	G1
-----------------------	----



68D3100-3020

FIG. 2 CYLINDER. CRANKCASE 1

REF. NO.	PART NO.	DESCRIPTION	F4				REMARKS
1	68D-WE090-10-4D	CRANK CYLINDER ASSY	1				
2	68D-E1111-10-94	HEAD, CYLINDER 1	1				
3	67D-11133-10	.GUIDE, VALVE 1	2				
4	97095-08014	BOLT	1				
5	90430-08800	GASKET	1				
6	90105-08M36	BOLT, FLANGE	3				
7	90105-08046	BOLT, FLANGE	1				
8	90105-06M25	BOLT, FLANGE	1				
9	99510-10114	PIN, DOWEL	2				
10	67D-11181-A0	GASKET, CYLINDER HEAD 1	1				
11	67D-11191-00	COVER, CYLINDER HEAD 1	1				
12	68D-E1193-A0	GASKET, HEAD COVER 1	1				
13	90105-06M14	BOLT FLANGE	4				
14	66M-12411-00	THERMOSTAT	1				
15	68D-E2413-00-9M	COVER, THERMOSTAT	1				
16	650-24378-00	.PIPE, JOINT 4	1				
17	68D-E1325-00	ANODE	1				
18	97880-05025	SCREW, PAN HEAD	1				
19	68D-E2414-A0	GASKET, COVER	1				
20	97095-06020	BOLT	3				
21	92995-06600	WASHER	3				
22	90445-09807	HOSE (L180)	1				
23	94702-00248	PLUG, SPARK (NGK BR6HS)	1				

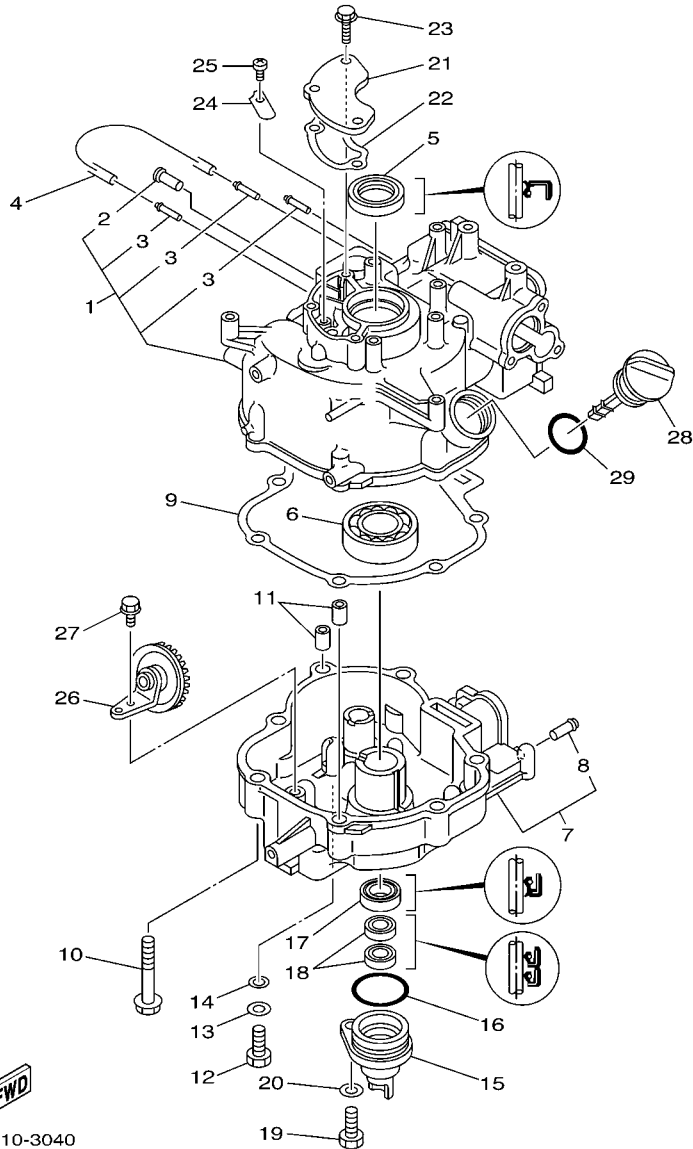


67D0010-8030

FIG. 3 CRANKSHAFT. PISTON

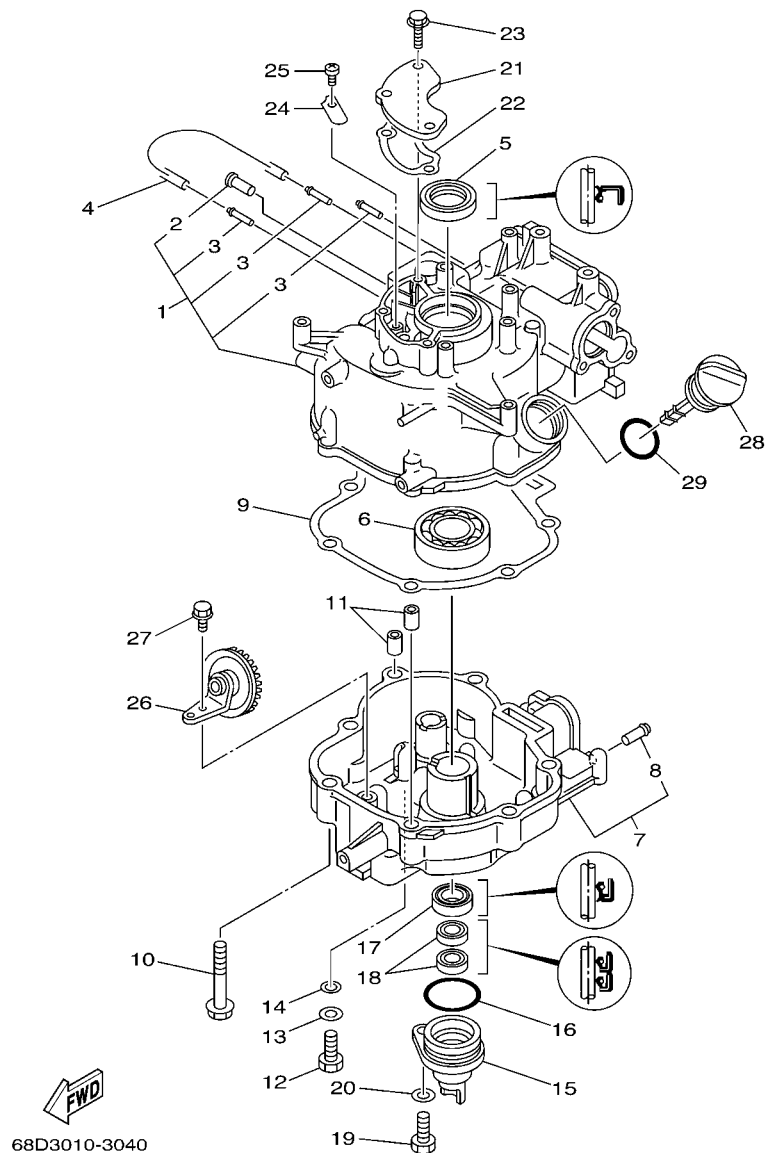
REF. NO.	PART NO.	DESCRIPTION	F4				REMARKS
1	67D-11400-00	CRANKSHAFT ASSY	1				
2	90201-266P2	WASHER, PLATE	1				
3	67D-11650-00	CONNECTING ROD ASSY	1				
4	67D-11654-00	.BOLT, CONNECTING ROD	2				
5	68D-E1631-00-96	PISTON (STD)	1				
	68D-E1635-00	PISTON (0.25MM O/S)	1				AP
	68D-E1636-00	PISTON (0.50MM O/S)	1				AP
6	68D-E1603-00	PISTON RING SET (STD)	1				
	68D-E1604-00	PISTON RING SET (0.25MM O/S)	1				AP
	68D-E1605-00	PISTON RING SET (0.50MM O/S)	1				AP
7	68D-E1633-00	PIN, PISTON	1				
8	93450-14088	CIRCLIP	2				

FIG. 4 CYLINDER. CRANKCASE 2



REF. NO.	PART NO.	DESCRIPTION	F4				REMARKS
1	68D-E1311-01-94	CYLINDER 1	1				
2	650-24378-00	.PIPE, JOINT 4	1				
3	6H1-14485-00	.PIPE, JOINT	3				
4	90445-07806	HOSE (L167)	1				
5	93102-25090	OIL SEAL	1				
6	93306-205YD	BEARING	1				
7	68D-E5111-00-94	CRANKCASE 1	1				
8	650-24378-00	.PIPE, JOINT 4	1				
9	68D-11351-A0	GASKET, CYLINDER	1				
10	97575-08550	BOLT, WITH WASHER	7				
11	99510-10114	PIN, DOWEL	2				
12	97095-08020	BOLT	1				
13	92995-08600	WASHER	1				
14	90201-08818	WASHER, PLATE	1				
15	68D-E5396-00-5B	HOUSING, OIL SEAL	1				
16	93210-35537	O-RING	1				
17	93102-20108	OIL SEAL	1				
18	93102-10004	OIL SEAL	2				
19	97095-08020	BOLT	1				
20	92995-08600	WASHER	1				
21	68D-E1168-00	COVER, BREATHER	1				
22	68D-E1169-A0	GASKET, BREATHER COVER	1				
23	90119-06M80	BOLT, WITH WASHER	3				
24	68D-E5346-00	BREATHER 1	1				
25	98503-04006	SCREW, PAN HEAD	1				
26	68D-E3102-00	GEAR UNIT ASSY	1				
27	95817-06012	BOLT, FLANGE	1				

FIG. 4 CYLINDER. CRANKCASE 2



REF. NO.	PART NO.	DESCRIPTION	F4				REMARKS
28	68D-E5362-00	PLUG, OIL LEVEL	1				
29	93210-24M79	O-RING	1				

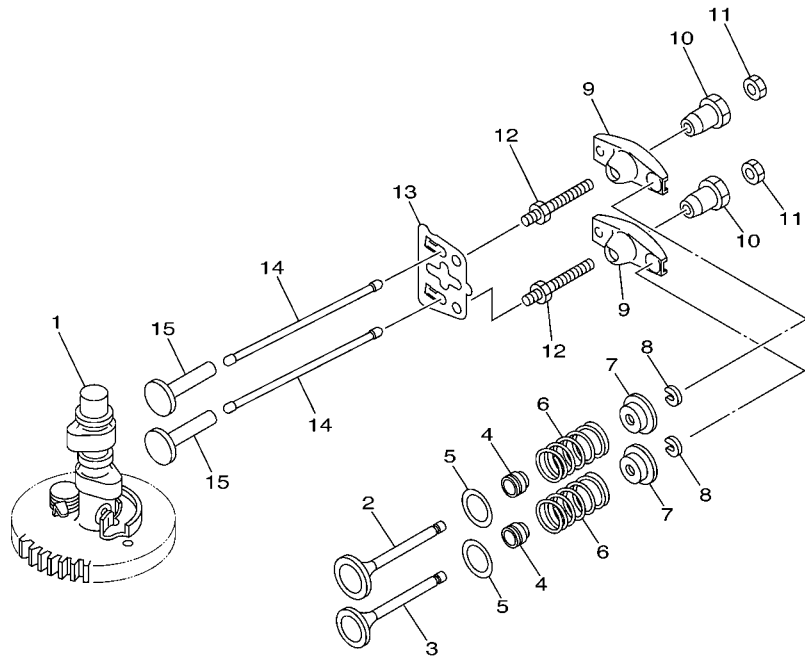
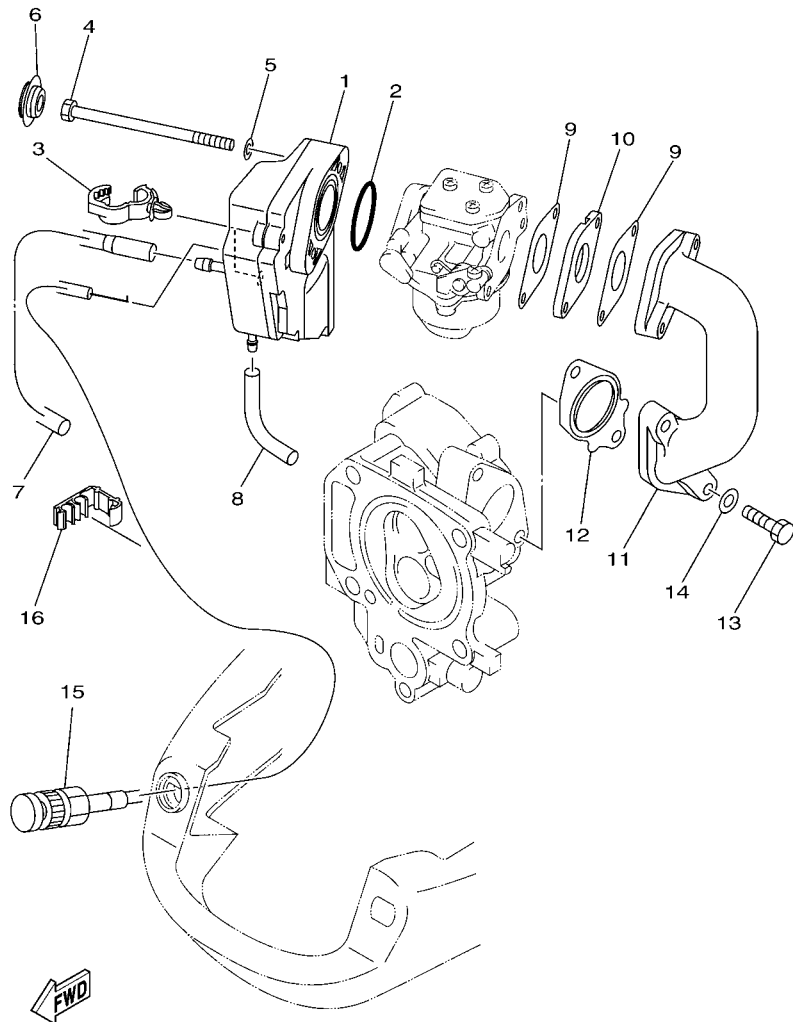


FIG. 5 VALVE

REF. NO.	PART NO.	DESCRIPTION	F4				REMARKS
1	68D-E2170-00	CAMSHAFT ASSY 1	1				
2	67D-12111-00	VALVE, INTAKE	1				
3	67D-12121-00	VALVE, EXHAUST	1				
4	51Y-12119-00	SEAL, VALVE STEM	2				
5	68T-12116-00	SEAT, VALVE SPRING	2				
6	68D-E2113-00	SPRING, VALVE INNER	2				
7	7NJ-12117-00	RETAINER, VALVE SPRING	2				
8	7NJ-12118-00	COTTER, VALVE	2				
9	67D-12151-00	ARM, VALVE ROCKER	2				
10	7FK-12165-00	PIVOT, ROCKER ARM	2				
11	7FK-12158-00	NUT, LOCK	2				
12	67D-12157-00	BOLT	2				
13	68D-E2155-00	GUIDE, PUSH ROD	1				
14	67D-12154-00	ROD, VALVE PUSH	2				
15	JA9-12153-00	LIFTER, VALVE	2				



68D3010-3050



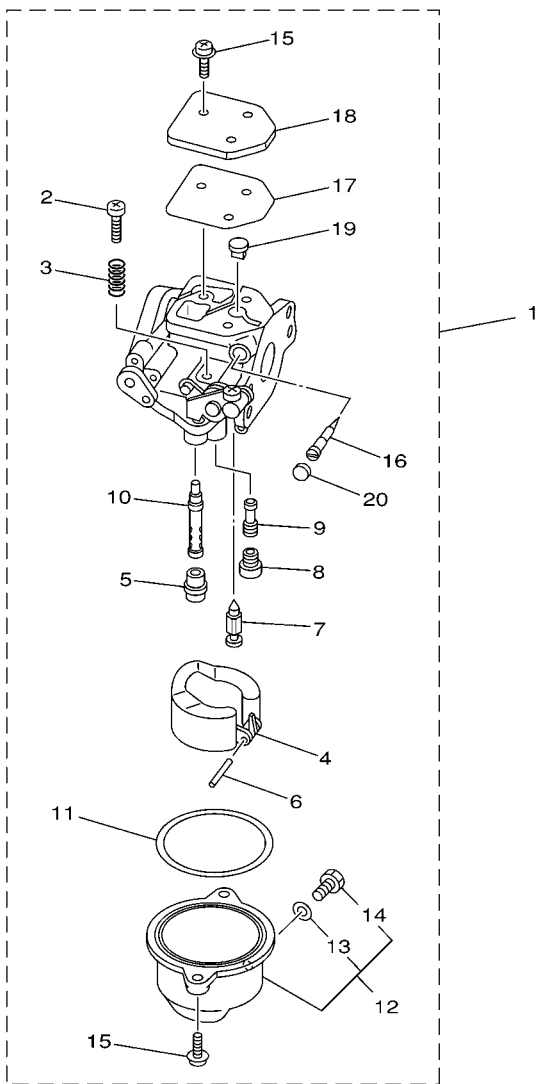
67D0010-8060



FIG. 6 INTAKE

REF. NO.	PART NO.	DESCRIPTION	F4				REMARKS
1	68D-E4440-00	SILENCER ASSY, INTAKE	1				
2	93210-31MJ5	O-RING	1				
3	90464-13249	CLAMP	1				
4	97095-06090	BOLT	2				
5	92995-06600	WASHER	2				
6	90480-18M74	GROMMET	2				
7	68D-F4314-00	PIPE 4	1				
8	90445-07805	HOSE (L70)	1				
9	68D-E3646-A0	GASKET, MANIFOLD 2	2				
10	68D-E3647-00	GASKET, MANIFOLD 3	1				
11	68D-E3641-00-94	MANIFOLD 1	1				
12	68D-E3645-A0	GASKET, MANIFOLD 1	1				
13	97095-06025	BOLT	2				
14	92995-06600	WASHER	2				
15	68D-F6330-00	STARTER CABLE ASSY	1				
16	90464-05122	CLAMP	1				

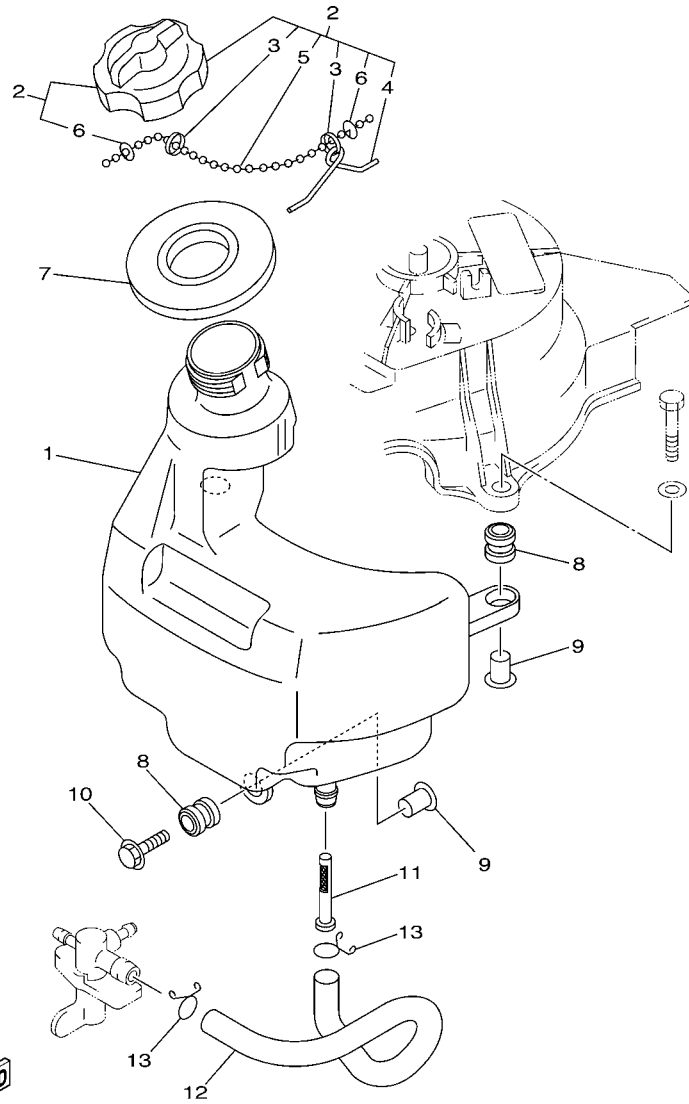
FIG. 7 CARBURETOR



REF. NO.	PART NO.	DESCRIPTION	F4				REMARKS
1	67D-14301-12	CARBURETOR ASSY 1	1				FOR USA,CAN,CAR
	67D-14301-01	CARBURETOR ASSY 1	1				FOR OCE
2	6E5-14321-00	.SCREW, THROTTLE	1				
3	6J8-14334-00	.SPRING, THROTTLE	1				
4	68T-14385-00	.FLOAT	1				
5	67D-14966-00	.RUBBER CAP	1				
6	67D-14386-00	.PIN, FLOAT	1				
7	67D-14546-00	.VALVE, NEEDLE	1				
8	67D-1492E-34	.JET, MAIN (#68)	1				
9	67D-1492F-18	.JET, AIR SLOW (#36)	1				
10	67D-1492A-00	.NOZZLE, MAIN	1				
11	67D-14984-00	.GASKET, FLOAT CHAMBER	1				
12	67D-14981-00	.BODY, FLOAT CHAMBER	1				
13	6J8-14959-00	..GASKET	1				
14	66T-14991-00	..PLUG, DRAIN	1				
15	97980-04112	.SCREW, WITH WASHER	5				
16	67D-14323-00	.SCREW, AIR ADJUSTING	1				
17	67D-14536-00	.GASKET	1				
18	67D-14527-00	.PLATE	1				
19	67D-14126-00	.PLUG	1				
20	67D-1432A-00	.PLUG	1				FOR 67D-14301-12



67D0100-8070



68D3010-3080

FIG. 8 FUEL 1

REF. NO.	PART NO.	DESCRIPTION	F4				REMARKS
1	68D-F4111-00	TANK, FUEL	1				
2	67D-24610-02	CAP ASSY	1				
3	90501-10260	.SPRING, COMPRESSION	2				
4	624-24634-00	.HOOK, CHAIN BALL	1				
5	69M-24633-00	.CHAIN, BALL	1				
6	6H1-21757-00	.WASHER, SPECIAL 1	2				
7	6L5-24641-00	GASKET, CAP 1	1				
8	6A0-82317-00	DAMPER, IGNITION COIL	3				
9	624-42542-00	PIPE	3				
10	90119-06M88	BOLT, WITH WASHER	1				
11	6L5-24251-00	STRAINER 1	1				
12	68D-F4311-00	PIPE, FUEL 1	1				
13	90467-13M13	CLIP	2				

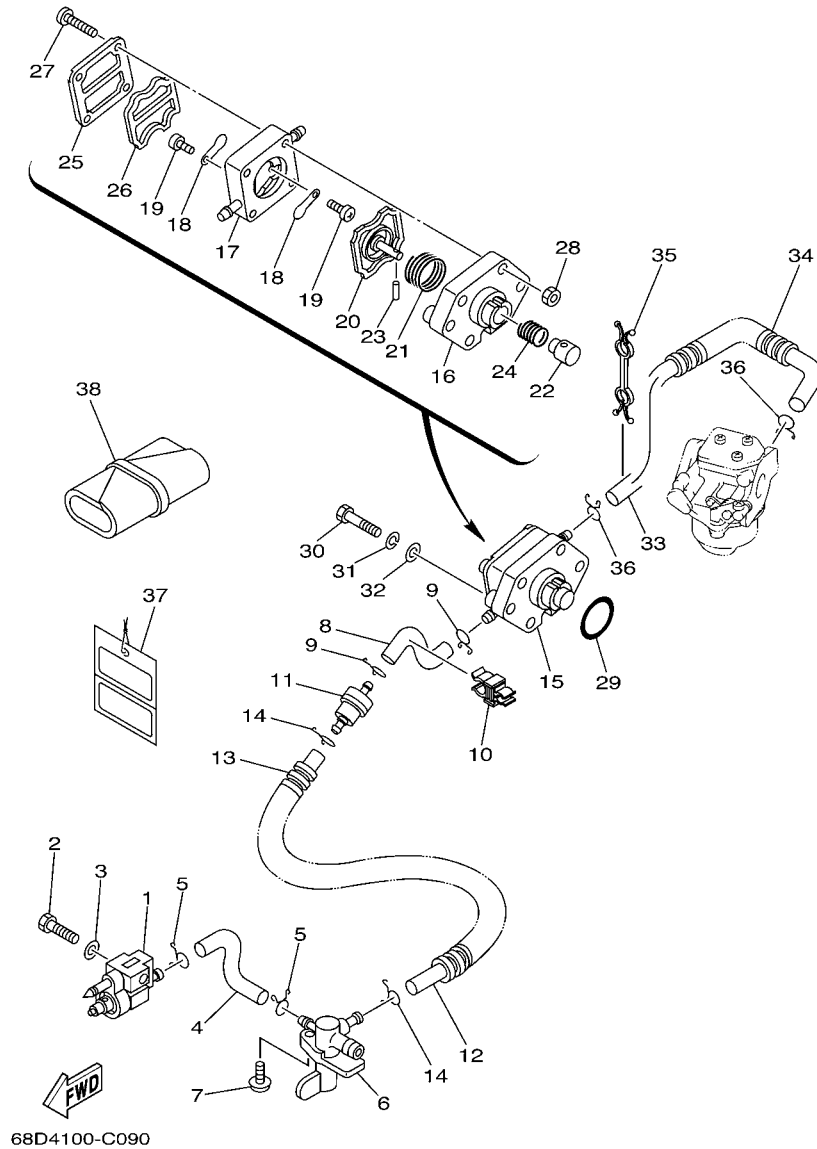


FIG. 9 FUEL 2

REF. NO.	PART NO.	DESCRIPTION	F4				REMARKS
1	6G1-24304-02	FUEL PIPE JOINT COMP. 1	1				
2	97095-06025	BOLT	1				
3	92995-06600	WASHER	1				
4	68D-F4312-00	PIPE 2	1				
5	90467-09M09	CLIP	2				
6	68D-F4500-00	FUEL COCK ASSY 1	1				
7	90159-06M10	SCREW, WITH WASHER	1				
8	68D-F4313-00	PIPE 3	1				
9	90467-09M09	CLIP	2				
10	90464-10M52	CLAMP	1				
11	646-24251-02	STRAINER 1	1				
12	90445-10804	HOSE (L140)	1				
13	90446-14M12	HOSE	1				
14	90467-09M09	CLIP	2				
15	67D-24410-02	FUEL PUMP ASSY	1				
16	67D-24412-00	.BODY 1	1				
17	67D-24413-02	.BODY 2	1				
18	6A0-24421-01	.VALVE, CHECK	2				
19	6E7-14325-00	.SCREW, PAN HEAD	2				
20	67D-24411-00	.DIAPHRAGM	1				
21	67D-24423-00	.SPRING, DIAPHRAGM	1				
22	67D-13131-00	.PLUNGER	1				
23	66M-24374-00	.PIN	1				
24	67D-24454-00	.SPRING	1				
25	67D-24414-01	.BODY 3	1				
26	66M-24471-00	.DIAPHRAGM	1				
27	67D-24444-00	.SCREW	4				

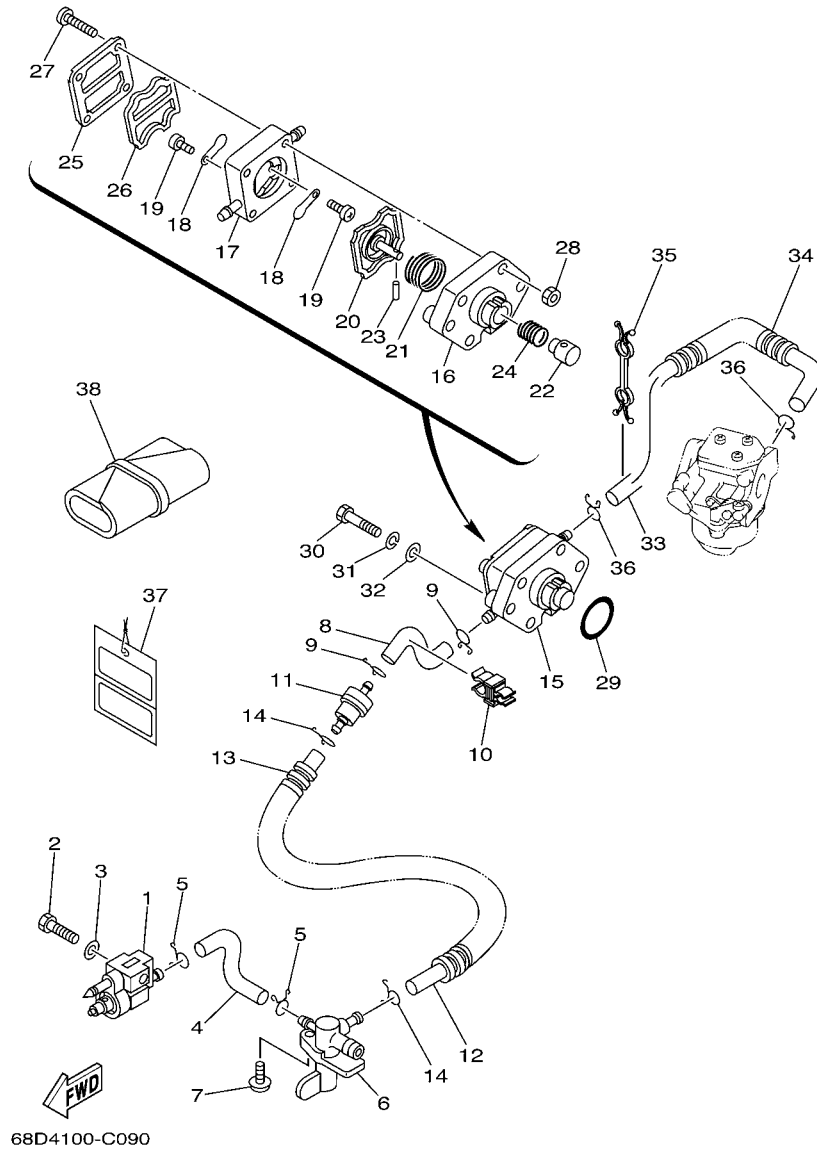
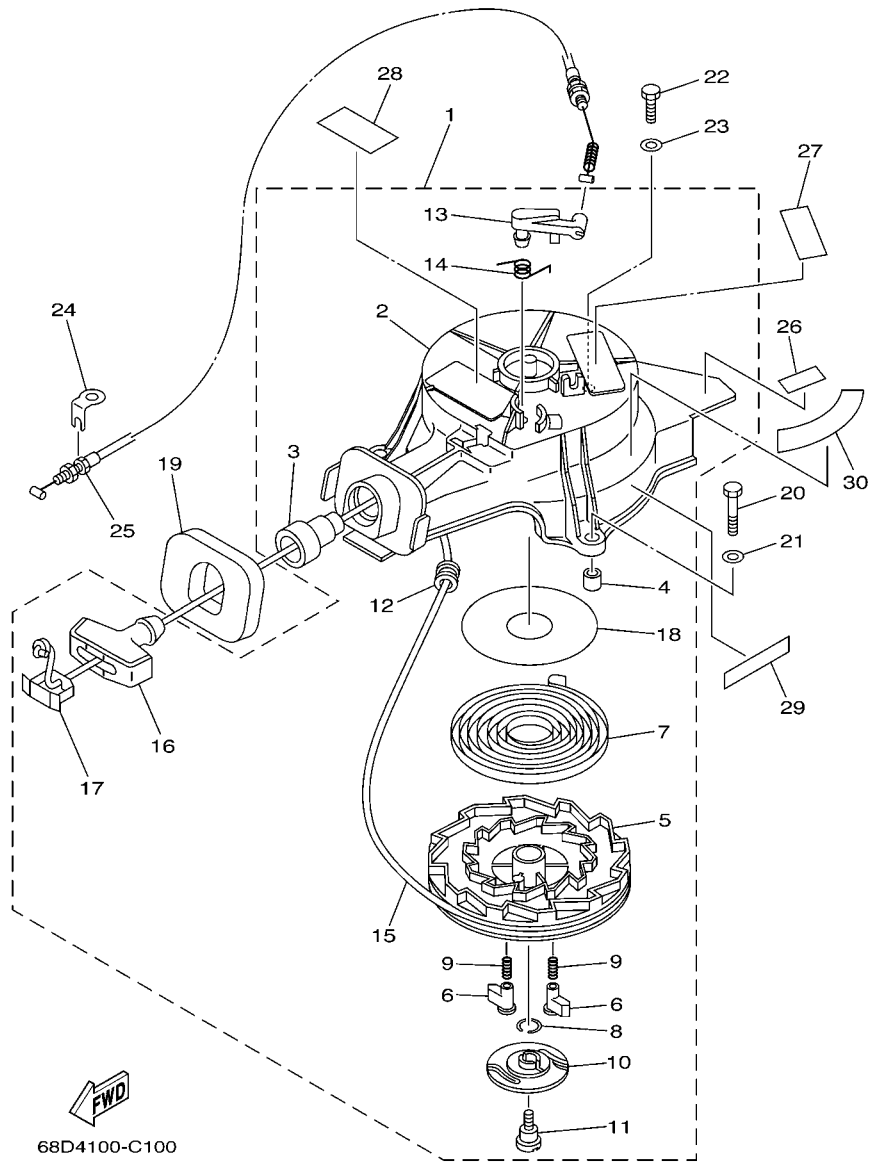


FIG. 9 FUEL 2

REF. NO.	PART NO.	DESCRIPTION	F4				REMARKS
28	95380-05600	.NUT	4				
29	93210-27ME3	O-RING	1				
30	97095-06030	BOLT	2				
31	92995-06100	WASHER, SPRING	2				
32	92995-06600	WASHER	2				
33	90445-10805	HOSE (L250)	1				
34	90446-14M12	HOSE	1				
35	90464-10M53	CLAMP	1				
36	90467-09M09	CLIP	2				
37	61H-2819R-31	TAG, WARNING	1				
38	68D-F8100-00	TOOL KIT	1				AP

FIG. 10 STARTER

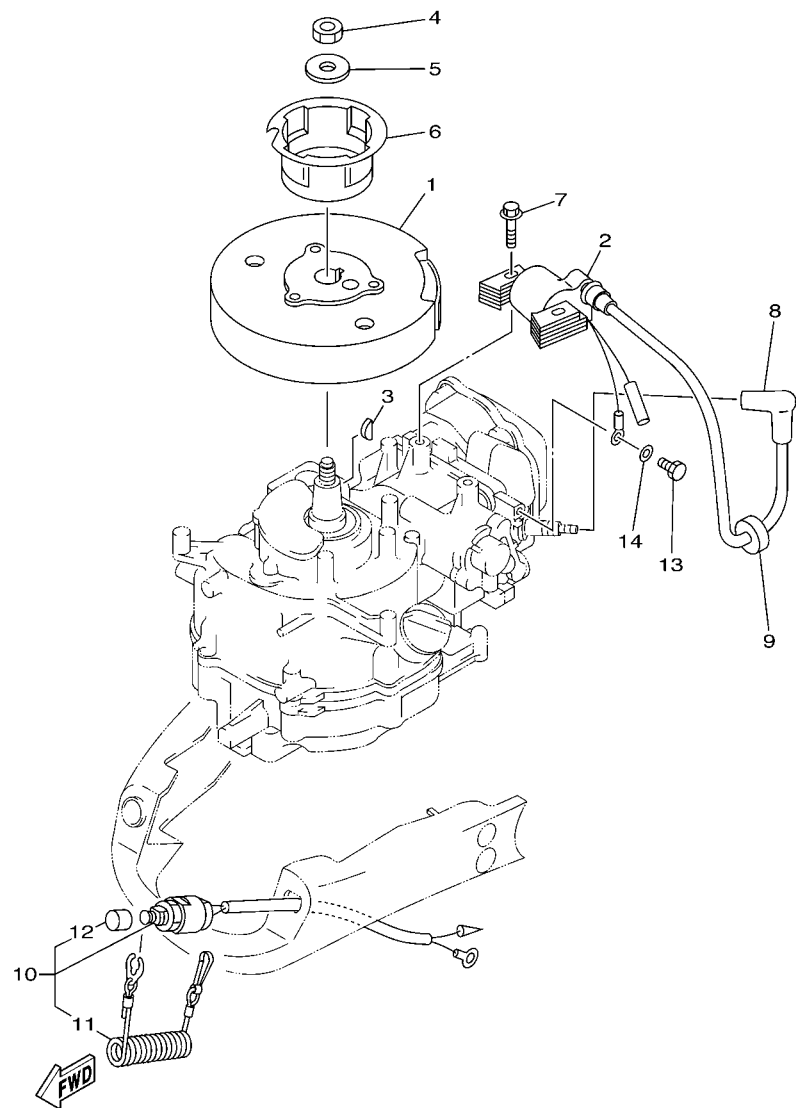


68D4100-C100

*1: CUT FROM 50M ROLLS, PART NO. 90890-44372, CUTTING LENGTH 1.8M

REF. NO.	PART NO.	DESCRIPTION	F4				REMARKS
1	67D-15710-00	STARTER ASSY	1				
2	67D-15711-00	.CASE, STARTER	1				
3	63V-15795-01	.GUIDE, ROPE	1				
4	67D-15764-00	.COLLAR 1	3				
5	67D-15714-00	.DRUM, SHEAVE	1				
6	67D-15741-00	.PAWL, DRIVE	2				
7	67D-15713-00	.SPRING, STARTER	1				
8	67D-15705-00	.SPRING, DRIVE PAWL	1				
9	67D-15767-00	.SPRING	2				
10	67D-15735-00	.GUIDE, CAM	1				
11	67D-15793-00	.SCREW	1				
12	63V-15764-00	.COLLAR 1	1				
13	67D-15794-00	.STOPPER	1				
14	67D-15734-00	.SPRING, RETURN	1				
15	*	.WIRE, STARTER (L:1800MM)	1				*1
16	6G1-15755-00	.HANDLE, STARTER	1				
17	6G1-15779-00	.COVER	1				
18	67D-15739-00	.WASHER, THRUST	1				
19	67D-15762-00	SEAL, RUBBER 2	1				
20	97095-06035	BOLT	2				
21	92995-06600	WASHER	2				
22	97095-06020	BOLT	1				
23	92995-06600	WASHER	1				
24	67D-15772-00	STAY 2	1				
25	67D-15770-00	CABLE COMP., STARTER STOP	1				
26	67D-42791-10	MARK 1	1				
27	6A1-83625-41	MARK 5	1				

FIG. 11 GENERATOR



67D0300-8110

REF. NO.	PART NO.	DESCRIPTION	F4				REMARKS
1	67D-85650-00	ROTOR ASSY	1				
2	67D-85640-00	T.C.I. UNIT ASSY	1				
3	90280-04M06	KEY, WOODRUFF	1				
4	90170-10M33	NUT	1				
5	90201-105A2	WASHER, PLATE	1				
6	67D-15723-00	PULLEY, STARTER	1				
7	90105-06M24	BOLT, FLANGE	2				
8	6E3-82370-21	PLUG CAP ASSY	1				
9	90480-25161	GROMMET	1				
10	67D-82575-00	ENGINE STOP SWITCH ASSY	1				
11	682-82556-00	.STOPPER	1				
12	689-8257Y-00	.CAP	1				
13	97095-06012	BOLT	1				
14	92995-06600	WASHER	1				

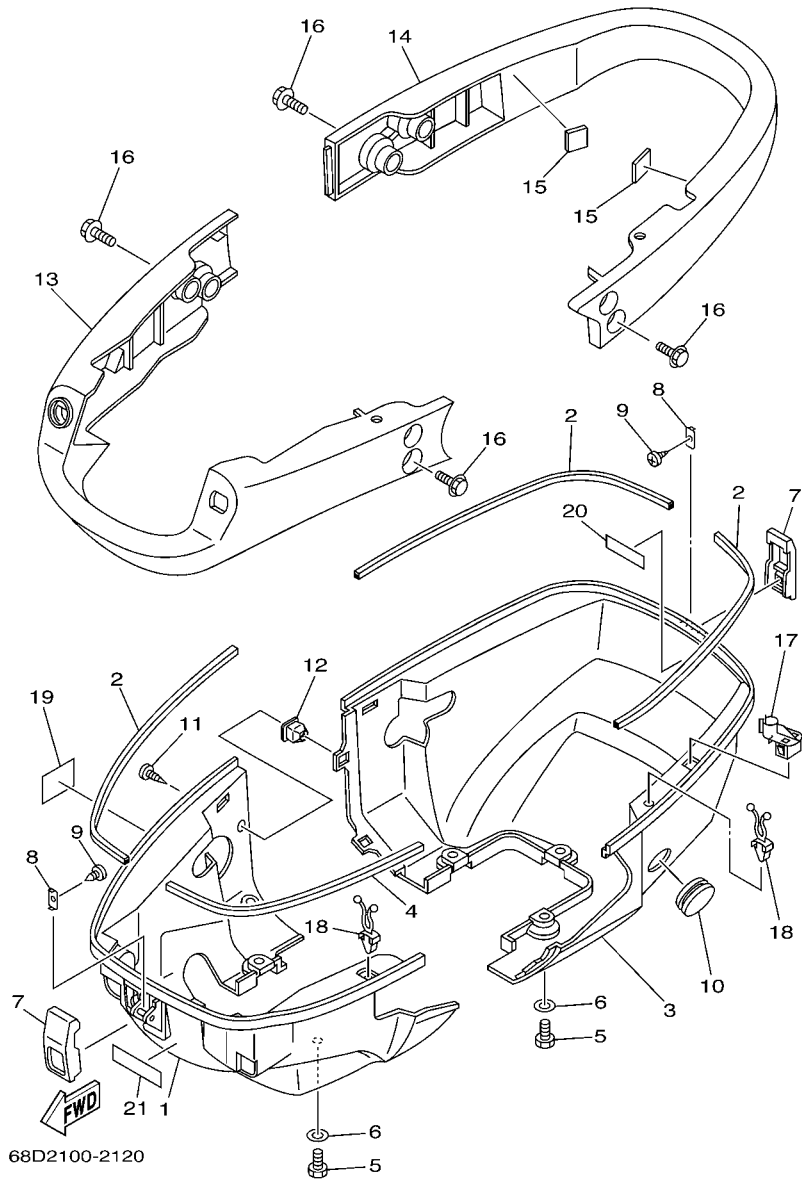
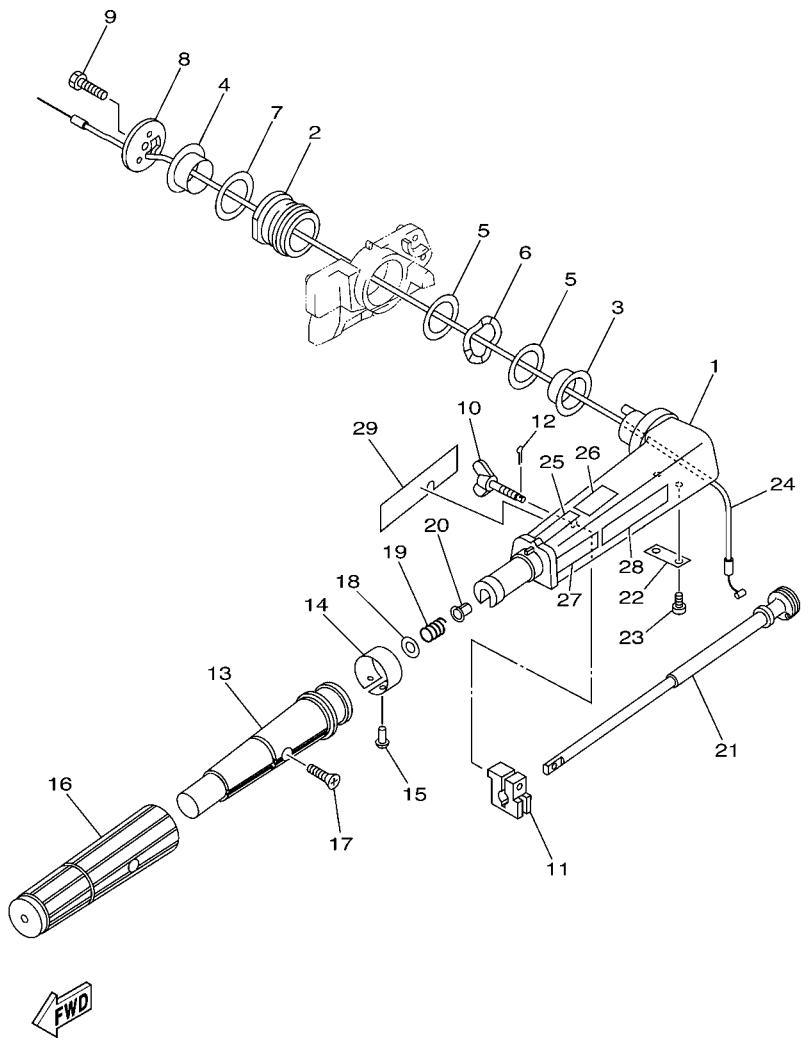


FIG. 12 BOTTOM COWLING

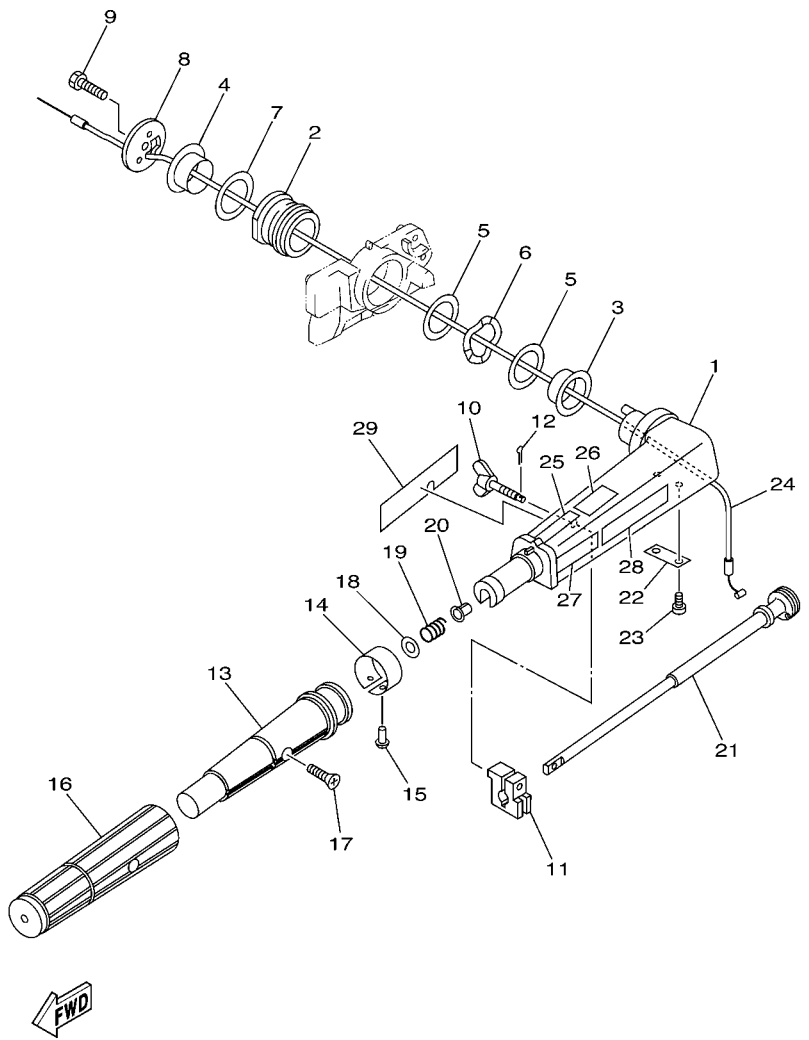
REF. NO.	PART NO.	DESCRIPTION	F4				REMARKS
1	68D-G2711-01	COWLING, BOTTOM	1				
2	68D-G2628-00	SEAL	3				
3	68D-G2712-01	COWLING, BOTTOM	1				
4	68D-G2629-00	SEAL	1				
5	97095-06016	BOLT	6				
6	92995-06600	WASHER	6				
7	6L5-42647-00	HOLDER, CLAMP BAND	2				
8	6L5-42823-00	PLATE, STOP	2				
9	90167-03M02	SCREW, TAPPING	2				
10	90480-22M72	GROMMET	1				
11	90161-05001	SCREW, TAPPING	3				
12	90480-10004	GROMMET	3				
13	68D-G2731-00	CARRYING HANDLE	1				
14	68D-G2735-00	PROTECTOR	1				
15	67D-42662-00	DAMPER	2				
16	90119-06M79	BOLT, WITH WASHER	8				
17	90464-07M50	CLAMP	1				
18	90464-07078	CLAMP	2				
19	67D-13444-40	MARK	1				FOR USA,OCE
	67D-13444-50	MARK	1				FOR CAN,CAR
20	68D-E2138-40	MARK, CAUTION	1				FOR USA,OCE
	68D-E2138-50	MARK, CAUTION	1				FOR CAN
	68D-E2138-60	MARK, CAUTION	1				FOR CAR
21	68D-H257H-00	PLATE, MARK	1				FOR CAR



68D2100-2130

FIG. 13 STEERING

REF. NO.	PART NO.	DESCRIPTION	F4				REMARKS
1	68D-G2111-00-4D	HANDLE, STEERING	1				
2	67D-42129-00	BUSHING, RUBBER	1				
3	68D-G2171-00	BUSHING	1				
4	68D-G2172-00	BUSHING 2	1				
5	68D-G2181-00	WASHER	2				
6	69M-G2188-00	WASHER, WAVE	1				
7	68D-G2182-00	WASHER 2	1				
8	68D-G2131-01	COVER, HANDLE STEERING	1				
9	97075-08025	BOLT	1				
10	6G1-42125-01	BOLT, FRICTION ADJUSTING	1				
11	6N0-G2126-00	FRICTION, STEERING HANDLE GRIP	1				
12	91490-16010	PIN, COTTER	1				
13	68D-G2119-00	GRIP, STEERING HANDLE	1				
14	68D-G2137-00	INDICATOR, THROTTLE	1				
15	90269-02M09	RIVET	1				
16	68D-G2177-10	RUBBER, HANDLE	1				
17	90149-05M13	SCREW	1				
18	92903-10600	WASHER, PLATE	1				
19	90501-23215	SPRING, COMPRESSION	1				
20	90386-08032	BUSH	1				
21	69M-G2138-00	LEVER, THROTTLE	1				
22	68D-G2159-00	STAY	1				
23	97885-05012	SCREW, PAN HEAD	2				
24	68D-F6301-00	THROTTLE CABLE ASSY	1				
25	6E0-83627-41	LABEL, CAUTION 7	1				
26	6E0-83627-51	LABEL, CAUTION 7	1				FOR CAN,CAR
27	6A1-2415A-41	LABEL, CAUTION	1				



68D2100-2130

FIG. 13 STEERING

REF. NO.	PART NO.	DESCRIPTION	F4				REMARKS
28	6A1-2415A-51	LABEL, CAUTION	1				FOR CAN,CAR
29	68D-E571Y-40	MARK, CAUTION	1				FOR USA,OCE
	68D-E571Y-50	MARK, CAUTION	1				FOR CAN
	68D-E571Y-60	MARK, CAUTION	1				FOR CAR

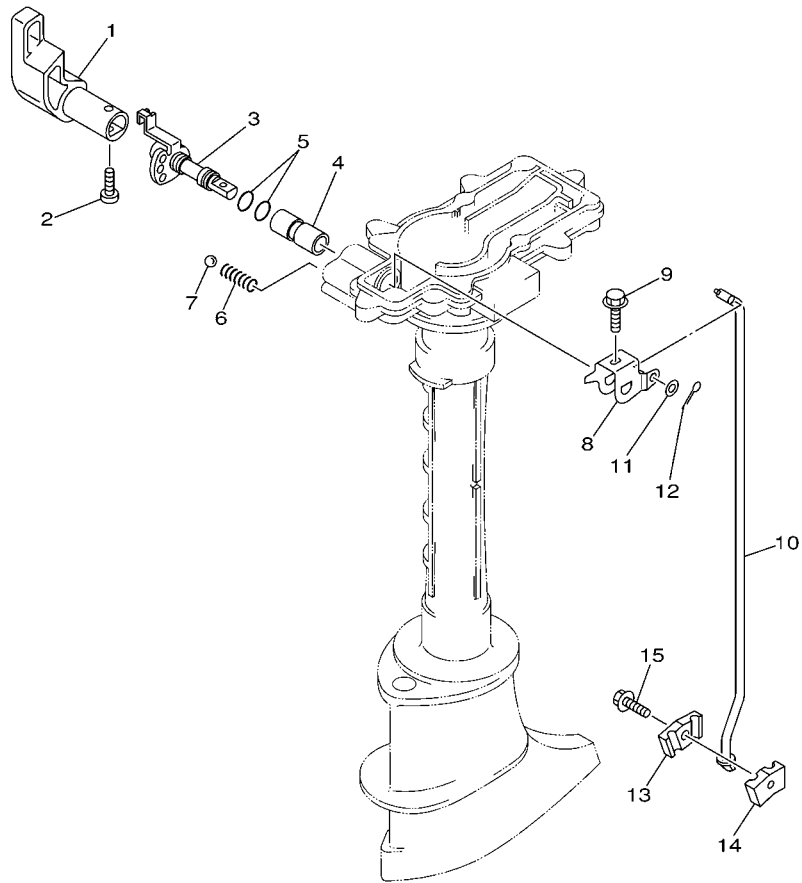
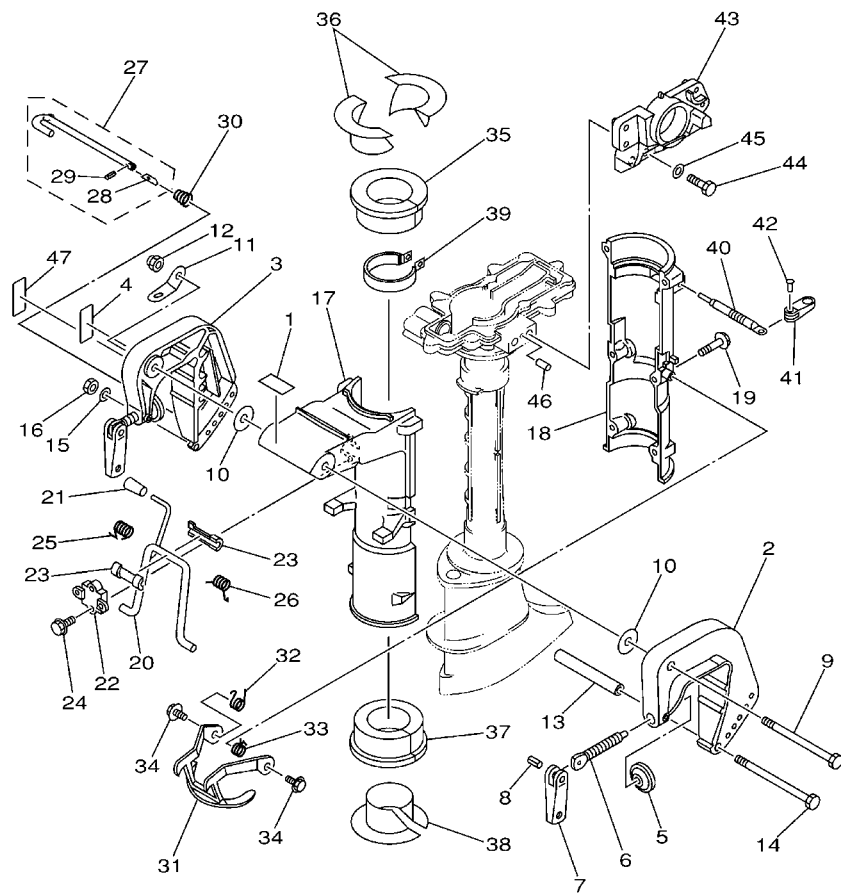


FIG. 14 CONTROL

REF. NO.	PART NO.	DESCRIPTION	F4				REMARKS
1	68D-G4111-00	HANDLE, GEAR SHIFT	1				
2	98680-05520	SCREW, OVAL HEAD	1				
3	68D-G4119-00	SHAFT, CHANGE	1				
4	68D-G4122-01	BUSHING, SHIFT ROD LEVER	1				
5	93210-09350	O-RING	2				
6	90501-12802	SPRING, COMPRESSION	1				
7	93505-16024	BALL	1				
8	68D-G4121-00	LEVER, SHIFT ROD	1				
9	90119-05M04	BOLT, WITH WASHER	1				
10	67D-44143-01	ROD, SHIFT	1				
11	92990-05600	WASHER, PLATE	1				
12	91490-16010	PIN, COTTER	1				
13	68D-G4145-00	CONNECTOR, SHIFT ROD	1				
14	68D-G4146-00	CONNECTOR, SHIFT ROD	1				
15	90119-06ME0	BOLT, WITH WASHER	1				



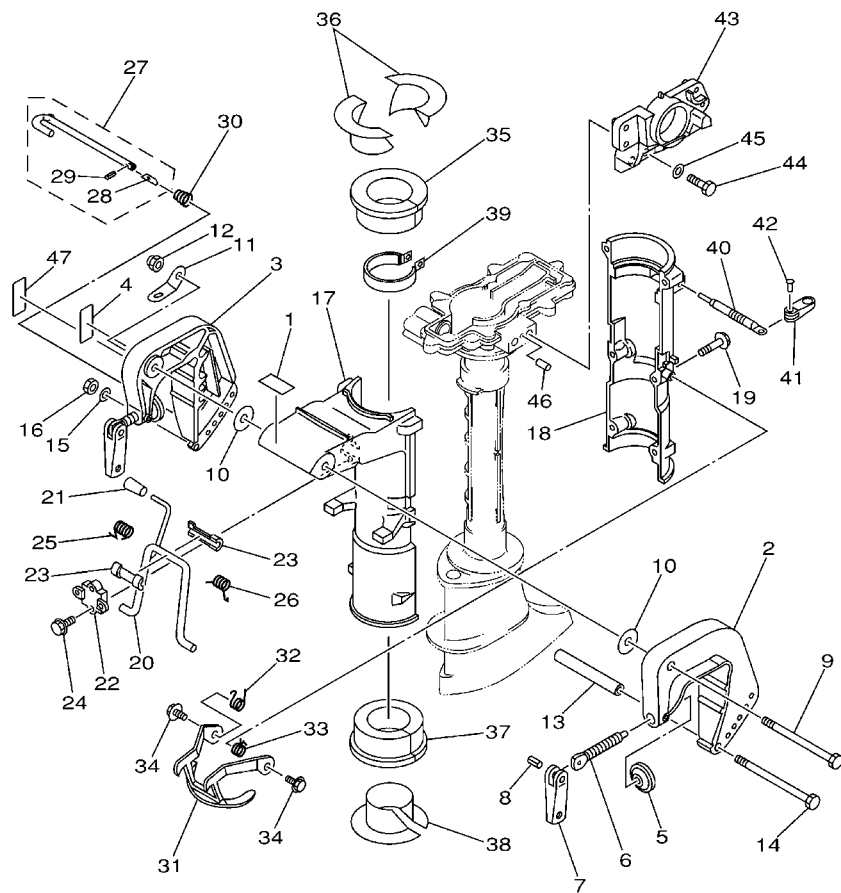
67D0010-0141



FWD
68D2100-2150

FIG. 15 BRACKET

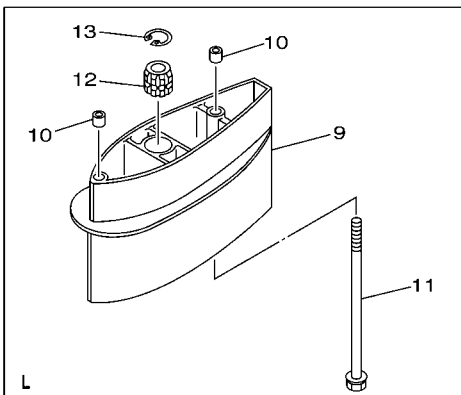
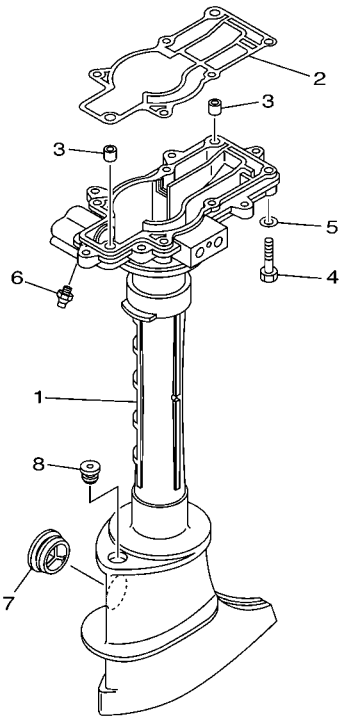
REF. NO.	PART NO.	DESCRIPTION	F4				REMARKS
1	68D-F4591-00	EMBLEM, FUEL COCK	1				
2	6L8-G3111-01-4D	BRACKET, CLAMP	1				
3	6L8-G3112-00-4D	BRACKET, CLAMP	1				
4	6M0-G3318-00	COVER	1				
5	620-43114-00	PAD, TRANSOM CLAMP	2				
6	6E0-43116-01	SCREW, TRANSOM CLAMP	2				
7	6L8-G3118-01	HANDLE, TRANSOM CLAMP	2				
8	90243-04M01	PIN	2				
9	90101-08M07	BOLT	1				
10	90202-08M58	WASHER, PLATE	2				
11	68D-G3113-00	PLATE, CLAMP BRACKET	1				
12	90185-08057	NUT, SELF-LOCKING	1				
13	90387-06M11	COLLAR	1				
14	90101-06335	BOLT	1				
15	92990-06600	WASHER, PLATE	1				
16	95380-06600	NUT, HEXAGON	1				
17	68D-G3311-00-4D	BRACKET, SWIVEL 1	1				
18	68D-G3312-00-4D	BRACKET, SWIVEL 2	1				
19	95895-06035	BOLT, FLANGE	6				
20	6E0-43181-00	LEVER, TILT STOP	1				
21	6E0-43632-00	KNOB, TILT	1				
22	6E0-43313-00-4D	BRACKET, SWIVEL 3	1				
23	620-43189-00	BUSHING	2				
24	95895-06020	BOLT, FLANGE	2				
25	90508-16020	SPRING, TORSION	1				
26	90508-16021	SPRING, TORSION	1				
27	68D-G3160-00	TILT ROD ASSY	1				



68D2100-2150

FIG. 15 BRACKET

REF. NO.	PART NO.	DESCRIPTION	F4				REMARKS
28	6N0-G3165-00	.PLATE, TILT LOCK	1				
29	91690-30008	.PIN, SPRING	1				
30	90502-08M05	SPRING, CONICAL	1				
31	6E0-43614-00-5B	PLATE, TILT LOCK	1				
32	90508-14M10	SPRING, TORSION	1				
33	90508-14M11	SPRING, TORSION	1				
34	95895-06010	BOLT, FLANGE	2				
35	68D-G2537-00	BUSHING, PIVOT SHAFT	1				
36	68D-G2539-00	BUSHING, PIVOT SHAFT	2				
37	68D-G2538-00	BUSHING, PIVOT SHAFT	1				
38	68D-G2549-00	BUSHING, PIVOT SHAFT	1				
39	6E0-42528-03	PLATE, FRICTION	1				
40	6L5-42529-01	SCREW, FRICTION PIECE	1				
41	68D-G2561-01	KNOB, STEERING LOCK	1				
42	90266-04M05	RIVET	1				
43	68D-G2511-00-4D	BRACKET, STEERING	1				
44	97075-08030	BOLT	2				
45	92995-08600	WASHER	2				
46	93604-12M07	PIN, DOWEL	1				
47	63V-82377-50	LABEL (SPARK,IGNITION)	1				FOR CAN



68D2010-2160

FIG. 16 UPPER CASING

REF. NO.	PART NO.	DESCRIPTION	F4				REMARKS
1	68D-G5111-01-4D	CASING, UPPER	1				
2	68D-G5113-A0	GASKET, UPPER CASING	1				
3	90387-06806	COLLAR	2				
4	97095-06035	BOLT	7				
5	92995-06600	WASHER	7				
6	93700-06M03	NIPPLE, GREASE	1				
7	647-45151-01	COVER, UPPER CASING	1				
8	90480-10M13	GROMMET	1				
9	68D-G5211-00-4D	EXTENSION	1				L
10	90387-06806	COLLAR	2				L
11	90119-06M77	BOLT, WITH WASHER	2				L
12	6E0-45318-01	BUSHING, DRIVE SHAFT	1				L
13	93420-22M03	CIRCLIP	1				L

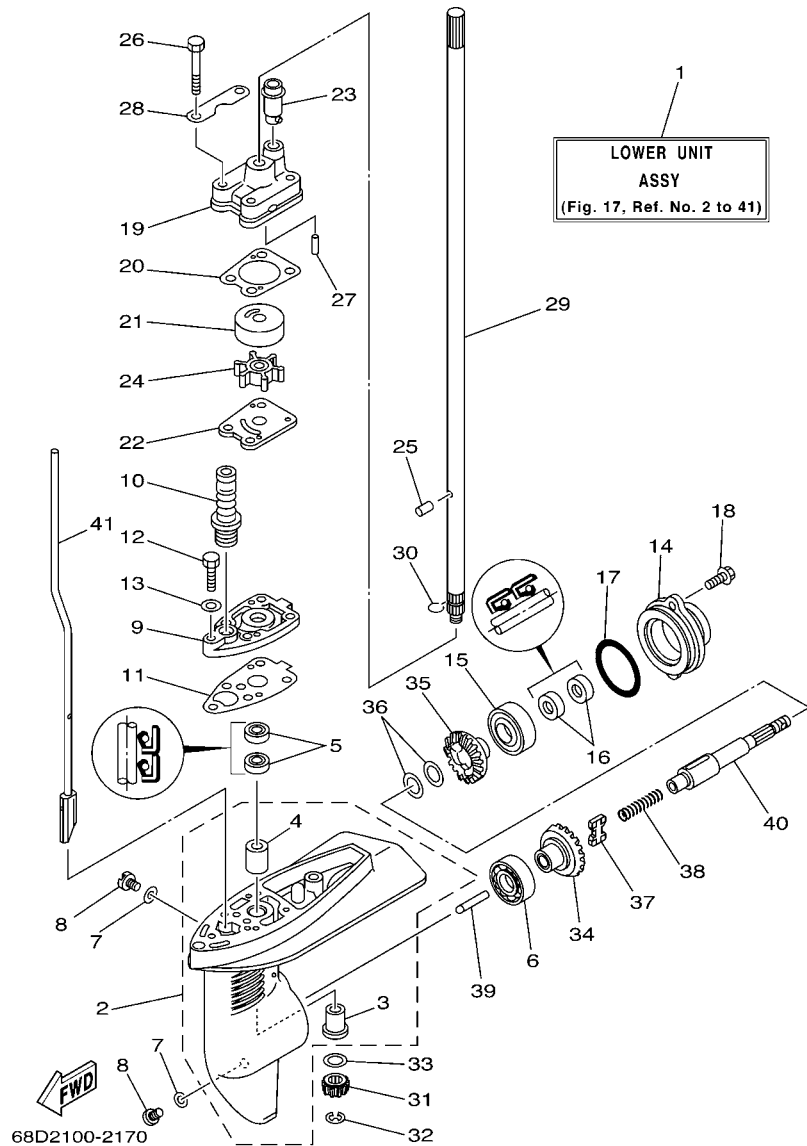


FIG. 17 LOWER CASING. DRIVE 1

REF. NO.	PART NO.	DESCRIPTION	F4				REMARKS
1	68D-G5300-01-4D	LOWER UNIT ASSY	1				S
	68D-G5300-11-4D	LOWER UNIT ASSY	1				L
2	68D-G5311-00-4D	CASING, LOWER	1				
3	6E0-45317-09	.BUSHING, DRIVE SHAFT	1				
4	6E0-45316-09	.BUSHING, DRIVE SHAFT	1				
5	93101-10M14	OIL SEAL	2				
6	93306-004YH	BEARING	1				
7	90430-08801	GASKET	3				
8	90340-08002	PLUG, STRAIGHT SCREW	3				
9	68D-G5321-00	PLATE	1				
10	6L2-44147-00	BOOT, SHIFT ROD	1				
11	68D-G5315-A0	PACKING, LOWER CASING	1				
12	97095-06025	BOLT	1				
13	92995-06600	WASHER	1				
14	68D-G5361-00-4D	CAP, LOWER CASING	1				
15	93306-004YH	BEARING	1				
16	93101-13M12	OIL SEAL	2				
17	93210-48214	O-RING	1				
18	95895-06016	BOLT, FLANGE	2				
19	68D-G4311-01	HOUSING, WATER PUMP	1				
20	68D-G4315-A0	GASKET, WATER PUMP	1				
21	68D-G4322-00	INSERT, CARTRIDGE	1				
22	6E0-44323-00	OUTER PLATE, CARTRIDGE	1				
23	67D-44366-00	DAMPER, WATER SEAL	1				
24	6E0-44352-00	IMPELLER	1				
25	93604-09066	PIN, DOWEL	1				
26	97095-06045	BOLT	4				

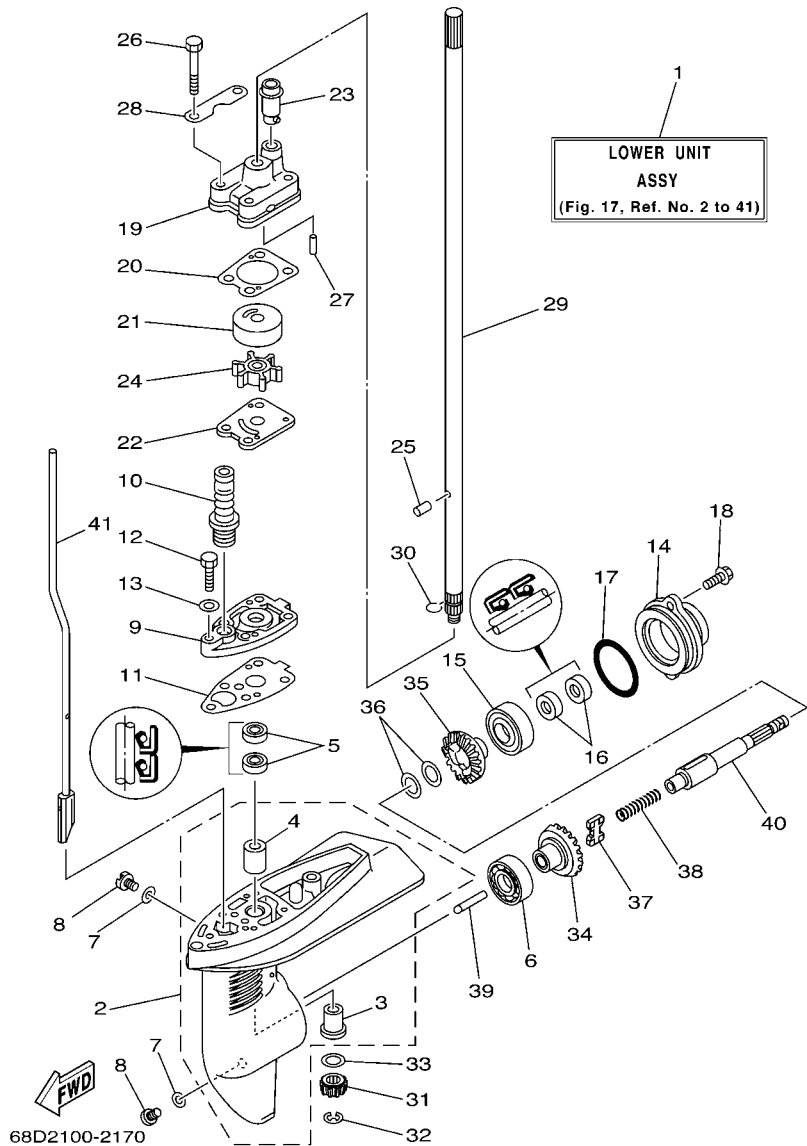
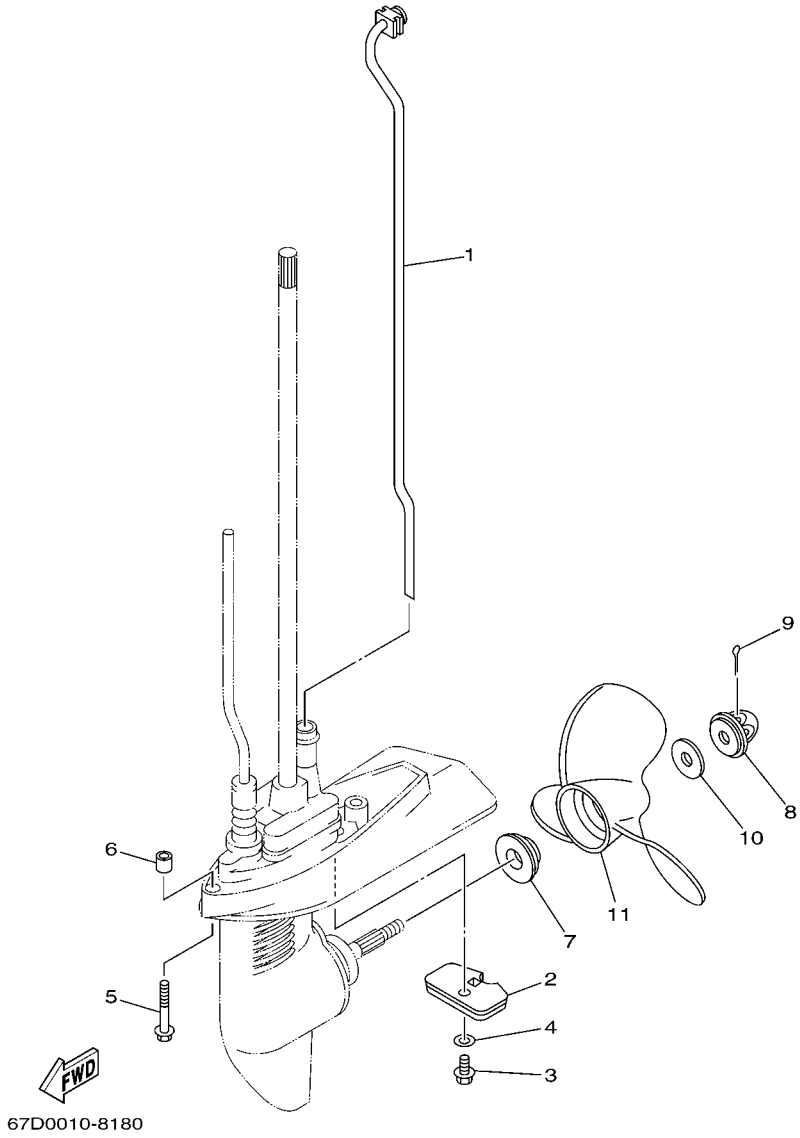


FIG. 17 LOWER CASING. DRIVE 1

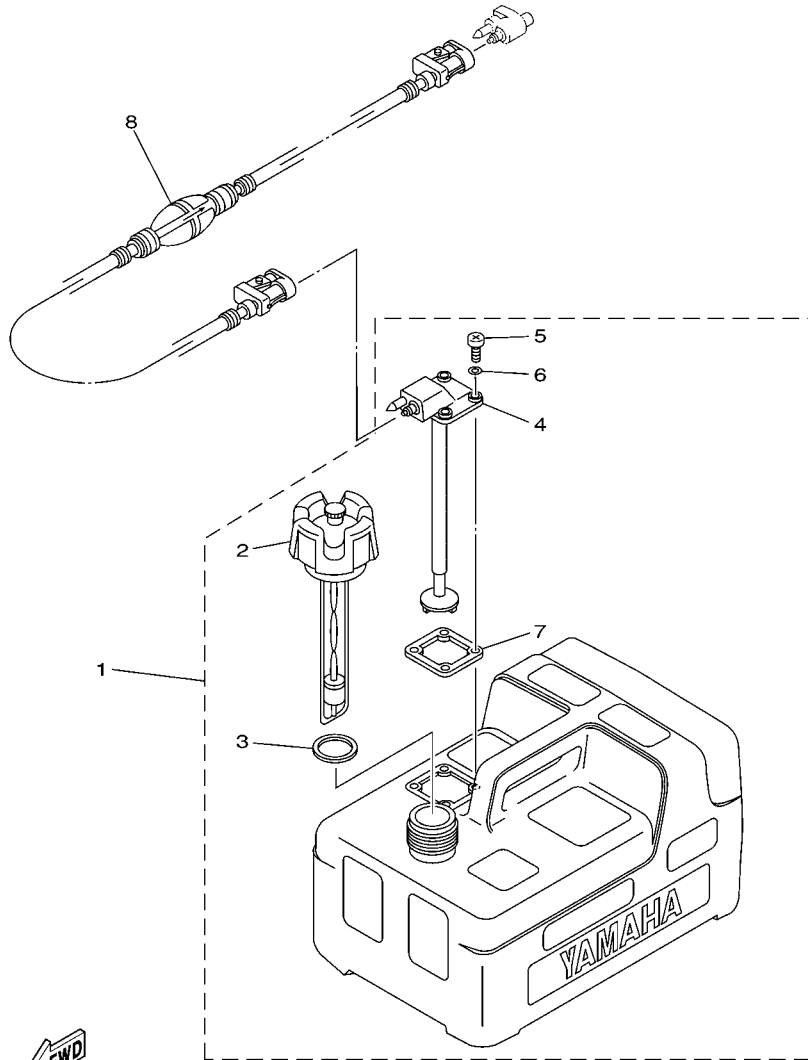
REF. NO.	PART NO.	DESCRIPTION	F4				REMARKS
27	93604-18080	PIN, DOWEL	2				
28	68D-G4328-00	PLATE	2				
29	68D-G5511-00	SHAFT, DRIVE	1				S
	68D-G5511-10	SHAFT, DRIVE	1				L
30	90467-08M01	CLIP	1				
31	6E0-45551-00	PINION	1				
32	99001-06600	CIRCLIP	1				
33	90201-11M49	WASHER, PLATE	1				
34	67D-45560-00	GEAR	1				
35	67D-45570-00	GEAR	1				
36	67D-45576-00	WASHER, THRUST	2				
37	67D-45631-01	CLUTCH, DOG	1				
38	90501-10064	SPRING, COMPRESSION	1				
39	67D-45635-00	PLUNGER, SHIFT	1				
40	68D-G5611-10	SHAFT, PROPELLER	1				
41	68D-G4150-00	SHIFT CAM ASSY	1				S
	68D-G4150-10	SHIFT CAM ASSY	1				L

FIG. 18 LOWER CASING. DRIVE 2

REF. NO.	PART NO.	DESCRIPTION	F4				REMARKS
1	68D-G4360-00	WATER TUBE ASSY	1				S
	68D-G4360-10	WATER TUBE ASSY	1				L
2	68D-G5251-00	ANODE	1				
3	95895-06012	BOLT, FLANGE	1				
4	92990-06300	WASHER, INTERNAL TOOTH	1				
5	90119-06M40	BOLT, WITH WASHER	2				S
6	90387-06806	COLLAR	2				
7	68D-G5987-00	SPACER	1				
8	6L5-45616-00	NUT, PROPELLER	1				
9	91490-25030	PIN, COTTER	1				
10	90201-08M54	WASHER, PLATE	1				
11	6E0-45941-01-EL	PROPELLER (3X7-1/2"X8"-BA)	1				UR
	6E0-45943-01-EL	PROPELLER (3X7-1/2"X7"-BA)	1				UR
	6E0-45949-00-EL	PROPELLER (3X7-1/4"X6-1/2"-BA)	1				UR



D6




 68R3100-C260

FIG. 19 FUEL TANK

REF. NO.	PART NO.	DESCRIPTION	F4				REMARKS
1	6YL-F4201-02	FUEL TANK ASSY	1				AP FOR CAN
2	6YL-F4610-00	.CAP ASSY	1				
3	6YL-F4641-00	.GASKET, CAP 1	1				
4	6YL-F4260-01	.FUEL METER ASSY	1				
5	90157-05811	.SCREW, PAN HEAD	4				
6	6YL-F4329-00	.SEAL	4				
7	6YL-F4268-01	.GASKET, FUEL METER	1				
8	6YL-24306-53	FUEL PIPE COMP. 1	1				AP FOR CAN

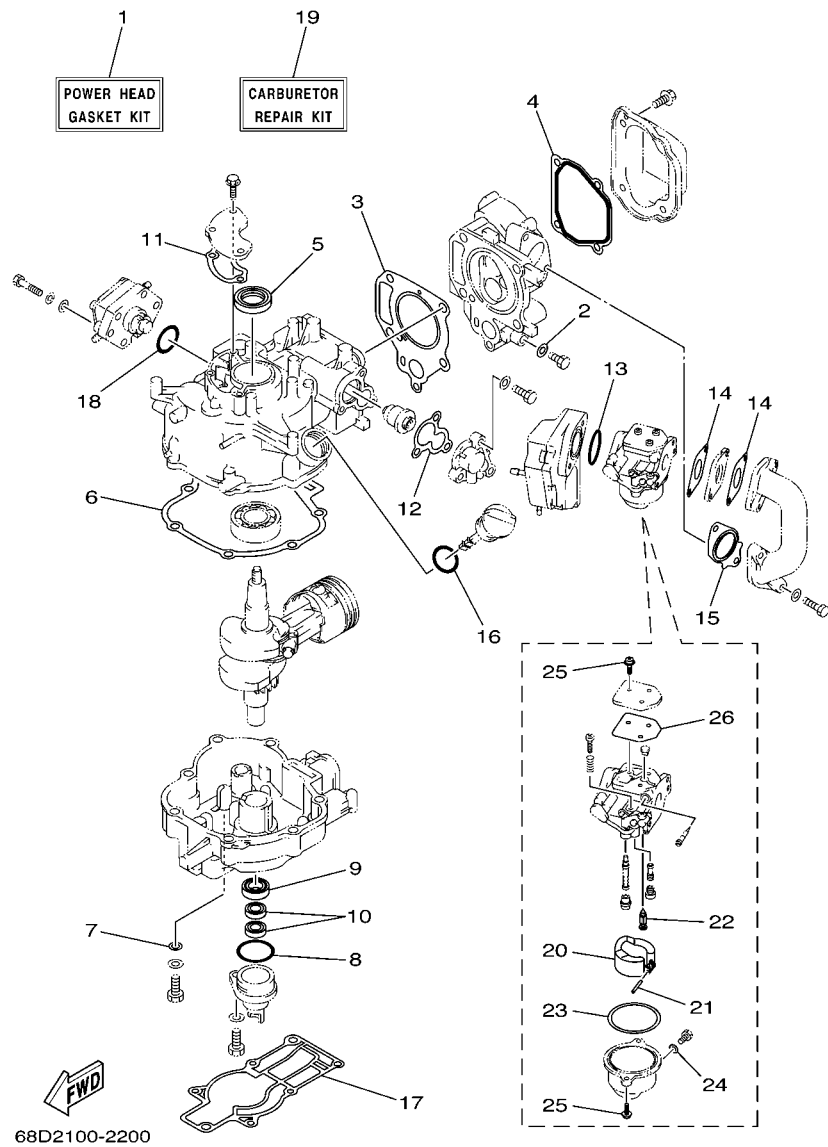
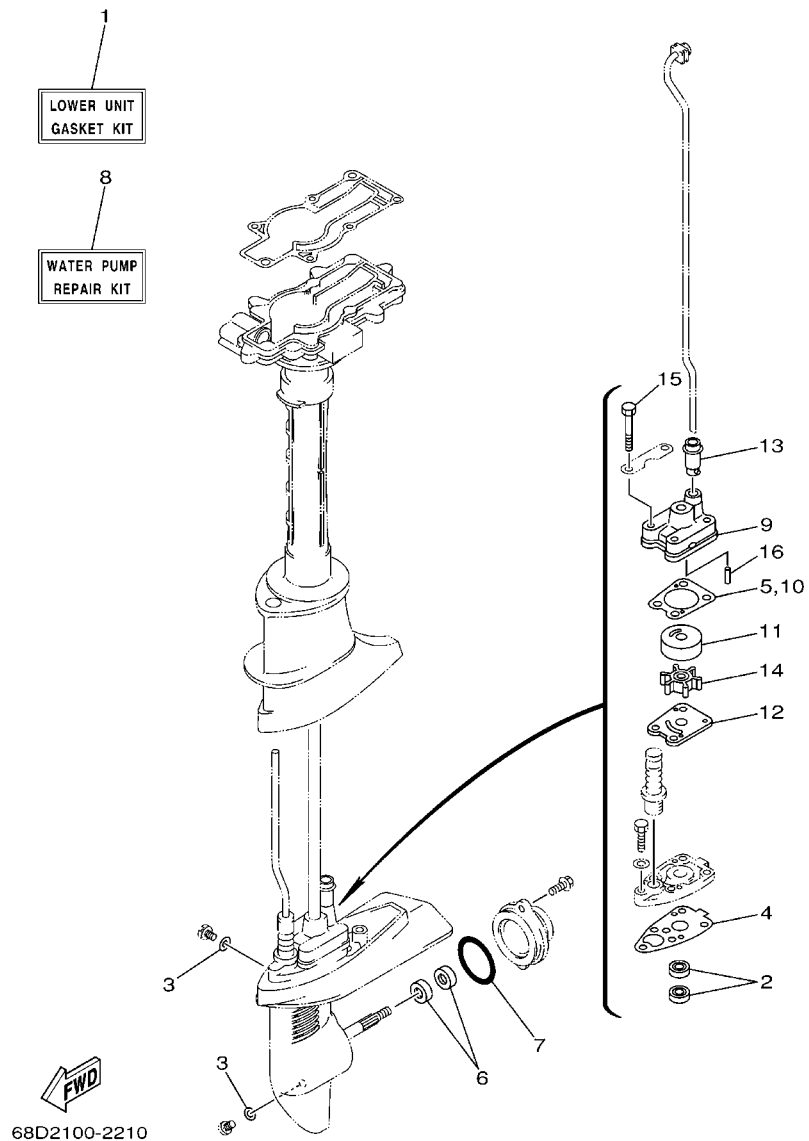


FIG. 20 REPAIR KIT 1

REF. NO.	PART NO.	DESCRIPTION	F4				REMARKS
1	68D-WE001-00	POWER HEAD GASKET KIT	1				
2	90430-08800	.GASKET	1				
3	67D-11181-A0	.GASKET, CYLINDER HEAD 1	1				
4	68D-E1193-A0	.GASKET, HEAD COVER 1	1				
5	93102-25090	.OIL SEAL	1				
6	68D-11351-A0	.GASKET, CYLINDER	1				
7	90201-08818	.WASHER, PLATE	1				
8	93210-35537	.O-RING	1				
9	93102-20108	.OIL SEAL	1				
10	93102-10004	.OIL SEAL	2				
11	68D-E1169-A0	.GASKET, BREATHER COVER	1				
12	68D-E2414-A0	.GASKET, COVER	1				
13	93210-31MJ5	.O-RING	1				
14	68D-E3646-A0	.GASKET, MANIFOLD 2	2				
15	68D-E3645-A0	.GASKET, MANIFOLD 1	1				
16	93210-24M79	.O-RING	1				
17	68D-G5113-A0	.GASKET, UPPER CASING	1				
18	93210-27ME3	.O-RING	1				
19	67D-W0093-01	CARBURETOR REPAIR KIT	1				
20	68T-14385-00	.FLOAT	1				
21	67D-14386-00	.PIN, FLOAT	1				
22	67D-14546-00	.VALVE, NEEDLE	1				
23	67D-14984-00	.GASKET, FLOAT CHAMBER	1				
24	6J8-14959-00	.GASKET	1				
25	97980-04112	.SCREW, WITH WASHER	2				
26	67D-14536-00	.GASKET	1				

FIG. 21 REPAIR KIT 2



REF. NO.	PART NO.	DESCRIPTION	F4				REMARKS
1	6E0-W0001-C1	LOWER UNIT GASKET KIT	1				
2	93101-10M14	.OIL SEAL	2				
3	90430-08801	.GASKET	3				
4	68D-G5315-A0	.PACKING, LOWER CASING	1				
5	68D-G4315-A0	.GASKET, WATER PUMP	1				
6	93101-13M12	.OIL SEAL	2				
7	93210-48214	.O-RING	1				
8	68D-WG078-00	WATER PUMP REPAIR KIT	1				
9	68D-G4311-01	.HOUSING, WATER PUMP	1				
10	68D-G4315-A0	.GASKET, WATER PUMP	1				
11	68D-G4322-00	.INSERT, CARTRIDGE	1				
12	6E0-44323-00	.OUTER PLATE, CARTRIDGE	1				
13	67D-44366-00	.DAMPER, WATER SEAL	1				
14	6E0-44352-00	.IMPELLER	1				
15	97095-06045	.BOLT	4				
16	93604-18080	.PIN, DOWEL	2				

NUMERICAL INDEX

PART NO.	REF. NO.	PART NO.	REF. NO.	PART NO.	REF. NO.	PART NO.	REF. NO.	PART NO.	REF. NO.	PART NO.	REF. NO.
67D-11133-10	2 - 3	67D-14546-00	7 - 7	6A0-24421-01	9 - 18	6E0-45949-00-EL	18 - 11	68D-E5396-00-5B	4 - 15	68D-G2735-00	12 - 14
67D-11181-A0	2 - 10		20 - 22	67D-24423-00	9 - 21	6A0-82317-00	8 - 8	68D-E571Y-40	13 - 29	6L8-G3111-01-4D	15 - 2
	20 - 3	67D-1492A-00	7 - 10	67D-24444-00	9 - 27	6E3-82370-21	11 - 8	68D-E571Y-50	13 - 29	6L8-G3112-00-4D	15 - 3
67D-11191-00	2 - 11	67D-1492E-34	7 - 8	67D-24454-00	9 - 24	63V-82377-50	15 - 47	68D-E571Y-60	13 - 29	68D-G3113-00	15 - 11
68D-11351-A0	4 - 9	67D-1492F-18	7 - 9	66M-24471-00	9 - 26	682-82556-00	11 - 11	68D-F4111-00	8 - 1	6L8-G3118-01	15 - 7
	20 - 6	6J8-14959-00	7 - 13	67D-24610-02	8 - 2	67D-82575-00	11 - 10	6YL-F4201-02	19 - 1	68D-G3160-00	15 - 27
67D-11400-00	3 - 1		20 - 24	69M-24633-00	8 - 5	689-8257Y-00	11 - 12	6YL-F4260-01	19 - 4	6N0-G3165-00	15 - 28
67D-11650-00	3 - 3	67D-14966-00	7 - 5	624-24634-00	8 - 4	6A1-83625-41	10 - 27	6YL-F4268-01	19 - 7	68D-G3311-00-4D	15 - 17
67D-11654-00	3 - 4	67D-14981-00	7 - 12	6L5-24641-00	8 - 7	6A1-83625-51	10 - 28	68D-F4311-00	8 - 12	68D-G3312-00-4D	15 - 18
67D-12111-00	5 - 2	67D-14984-00	7 - 11	61H-2819R-31	9 - 37	6E0-83627-41	13 - 25	68D-F4312-00	9 - 4	6M0-G3318-00	15 - 4
68T-12116-00	5 - 5		20 - 23	6G1-42125-01	13 - 10	6E0-83627-51	13 - 26	68D-F4313-00	9 - 8	68D-G4111-00	14 - 1
7NJ-12117-00	5 - 7	66T-14991-00	7 - 14	67D-42129-00	13 - 2	67D-85640-00	11 - 2	68D-F4314-00	6 - 7	68D-G4119-00	14 - 3
7NJ-12118-00	5 - 8	67D-15705-00	10 - 8	6E0-42528-03	15 - 39	67D-85650-00	11 - 1	6YL-F4329-00	19 - 6	68D-G4121-00	14 - 8
51Y-12119-00	5 - 4	67D-15710-00	10 - 1	6L5-42529-01	15 - 40	68D-E1111-10-94	2 - 2	68D-F4500-00	9 - 6	68D-G4122-01	14 - 4
67D-12121-00	5 - 3	67D-15711-00	10 - 2	624-42542-00	8 - 9	68D-E1168-00	4 - 21	68D-F4591-00	15 - 1	68D-G4145-00	14 - 13
67D-12151-00	5 - 9	67D-15713-00	10 - 7	6L5-42647-00	12 - 7	68D-E1169-A0	4 - 22	6YL-F4610-00	19 - 2	68D-G4146-00	14 - 14
JA9-12153-00	5 - 15	67D-15714-00	10 - 5	67D-42662-00	12 - 15		20 - 11	6YL-F4641-00	19 - 3	68D-G4150-00	17 - 41
67D-12154-00	5 - 14	67D-15723-00	11 - 6	68D-42662-00	1 - 7	68D-E1193-A0	2 - 12	68D-F6301-00	13 - 24	68D-G4150-10	17 - 41
67D-12157-00	5 - 12	67D-15734-00	10 - 14	67D-42791-10	10 - 26		20 - 4	68D-F6330-00	6 - 15	68D-G4311-01	17 - 19
7FK-12158-00	5 - 11	67D-15735-00	10 - 10	6L5-42823-00	12 - 8	68D-E1311-01-94	4 - 1	68D-F8100-00	9 - 38		21 - 9
7FK-12165-00	5 - 10	67D-15739-00	10 - 18	620-43114-00	15 - 5	68D-E1325-00	2 - 17	68D-G2111-00-4D	13 - 1	68D-G4315-A0	17 - 20
66M-12411-00	2 - 14	67D-15741-00	10 - 6	6E0-43116-01	15 - 6	68D-E1603-00	3 - 6	68D-G2119-00	13 - 13		21 - 5
67D-13131-00	9 - 22	6G1-15755-00	10 - 16	6E0-43181-00	15 - 20	68D-E1604-00	3 - 6	6N0-G2126-00	13 - 11	68D-G4322-00	17 - 21
67F-13434-02	1 - 8	67D-15762-00	10 - 19	620-43189-00	15 - 23	68D-E1605-00	3 - 6	68D-G2131-01	13 - 8		21 - 11
68D-13437-40	10 - 29	63V-15764-00	10 - 12	6E0-43313-00-4D	15 - 22	68D-E1631-00-96	3 - 5	68D-G2137-00	13 - 14	68D-G4328-00	17 - 28
68D-13437-50	10 - 29	67D-15764-00	10 - 4	6E0-43614-00-5B	15 - 31	68D-E1633-00	3 - 7	69M-G2138-00	13 - 21	68D-G4360-00	18 - 1
68D-13437-60	10 - 29	67D-15767-00	10 - 9	6E0-43632-00	15 - 21	68D-E1635-00	3 - 5	68D-G2159-00	13 - 22	68D-G4360-10	18 - 1
67D-13444-40	12 - 19	67D-15770-00	10 - 25	67D-44143-01	14 - 10	68D-E1636-00	3 - 5	68D-G2171-00	13 - 3	68D-G5111-01-4D	16 - 1
67D-13444-50	12 - 19	67D-15772-00	10 - 24	6L2-44147-00	17 - 10	68D-E2113-00	5 - 6	68D-G2172-00	13 - 4	68D-G5113-A0	16 - 2
67D-14126-00	7 - 19	6G1-15779-00	10 - 17	6E0-44323-00	17 - 22	68D-E2138-40	12 - 20	68D-G2177-10	13 - 16		20 - 17
67D-14301-01	7 - 1	67D-15793-00	10 - 11		21 - 12	68D-E2138-50	12 - 20	68D-G2181-00	13 - 5	68D-G5211-00-4D	16 - 9
67D-14301-12	7 - 1	67D-15794-00	10 - 13	6E0-44352-00	17 - 24	68D-E2138-60	12 - 20	68D-G2182-00	13 - 7	68D-G5251-00	18 - 2
6E5-14321-00	7 - 2	63V-15795-01	10 - 3		21 - 14	68D-E2155-00	5 - 13	69M-G2188-00	13 - 6	68D-G5300-01-4D	17 - 1
67D-14323-00	7 - 16	6H1-21757-00	8 - 6	67D-44366-00	17 - 23	68D-E2170-00	5 - 1	68D-G2511-00-4D	15 - 43	68D-G5300-11-4D	17 - 1
6E7-14325-00	9 - 19	6A1-2415A-41	13 - 27		21 - 13	68D-E2413-00-9M	2 - 15	68D-G2537-00	15 - 35	68D-G5311-00-4D	17 - 2
67D-1432A-00	7 - 20	6A1-2415A-51	13 - 28	647-45151-01	16 - 7	68D-E2414-A0	2 - 19	68D-G2538-00	15 - 37	68D-G5315-A0	17 - 11
6J8-14334-00	7 - 3	6L5-24251-00	8 - 11	6E0-45316-09	17 - 4		20 - 12	68D-G2539-00	15 - 36		21 - 4
68T-14385-00	7 - 4	646-24251-02	9 - 11	6E0-45317-09	17 - 3	68D-E3102-00	4 - 26	68D-G2549-00	15 - 38	68D-G5321-00	17 - 9
	20 - 20	6G1-24304-02	9 - 1	6E0-45318-01	16 - 12	68D-E3641-00-94	6 - 11	68D-G2561-01	15 - 41	68D-G5361-00-4D	17 - 14
67D-14386-00	7 - 6	6YL-24306-53	19 - 8	6E0-45551-00	17 - 31	68D-E3645-A0	6 - 12	68D-G2610-40-4D	1 - 1	68D-G5511-00	17 - 29
	20 - 21	66M-24374-00	9 - 23	67D-45560-00	17 - 34		20 - 15	68D-G2613-01	1 - 2	68D-G5511-10	17 - 29
67D-14427-40	10 - 30	650-24378-00	2 - 16	67D-45570-00	17 - 35	68D-E3646-A0	6 - 9	68D-G2628-00	12 - 2	68D-G5611-10	17 - 40
67D-14427-50	10 - 30		4 - 2	67D-45576-00	17 - 36		20 - 14	68D-G2629-00	12 - 4	68D-G5987-00	18 - 7
67D-14427-60	10 - 30	67D-24410-02	9 - 15	6L5-45616-00	18 - 8	68D-E3647-00	6 - 10	68D-G2677-00	1 - 5	68D-H257H-00	12 - 21
6H1-14485-00	4 - 3	67D-24411-00	9 - 20	67D-45631-01	17 - 37	68D-E4440-00	6 - 1	68D-G2678-00	1 - 6	6E0-W0001-C1	21 - 1
67D-14527-00	7 - 18	67D-24412-00	9 - 16	67D-45635-00	17 - 39	68D-E5111-00-94	4 - 7	68D-G2711-01	12 - 1	67D-W0093-01	20 - 19
67D-14536-00	7 - 17	67D-24413-02	9 - 17	6E0-45941-01-EL	18 - 11	68D-E5346-00	4 - 24	68D-G2712-01	12 - 3	68D-WE001-00	20 - 1
	20 - 26	67D-24414-01	9 - 25	6E0-45943-01-EL	18 - 11	68D-E5362-00	4 - 28	68D-G2731-00	12 - 13	68D-WE090-10-4D	2 - 1

NUMERICAL INDEX

PART NO.	REF. NO.	PART NO.	REF. NO.	PART NO.	REF. NO.	PART NO.	REF. NO.	PART NO.	REF. NO.	PART NO.	REF. NO.
68D-WG070-00	1 - 4	90446-14M12	9 - 13	93102-10004	20 - 10	97095-06045	21 - 15				
68D-WG078-00	21 - 8	90464-05122	6 - 16	93102-20108	4 - 17	97095-06090	6 - 4				
90101-06335	15 - 14	90464-07078	12 - 18		20 - 9	97095-08014	2 - 4				
90101-08M07	15 - 9	90464-07M50	12 - 17	93102-25090	4 - 5	97095-08020	4 - 12				
90105-06M14	2 - 13	90464-10M52	9 - 10		20 - 5	97575-08550	4 - 10				
90105-06M24	11 - 7	90464-10M53	9 - 35	93210-09350	14 - 5	97780-40012	1 - 3				
90105-06M25	2 - 8	90464-13249	6 - 3	93210-24M79	4 - 29	97880-05025	2 - 18				
90105-08046	2 - 7	90467-08M01	17 - 30		20 - 16	97885-05012	13 - 23				
90105-08M36	2 - 6	90467-09M09	9 - 5	93210-27ME3	9 - 29	97980-04112	7 - 15				
90119-05M04	14 - 9	90467-13M13	8 - 13		20 - 18		20 - 25				
90119-06M40	18 - 5	90480-10004	12 - 12	93210-31MJ5	6 - 2	98503-04006	4 - 25				
90119-06M77	16 - 11	90480-10M13	16 - 8		20 - 13	98680-05520	14 - 2				
90119-06M79	12 - 16	90480-18M74	6 - 6	93210-35537	4 - 16	99001-06600	17 - 32				
90119-06M80	4 - 23	90480-22M72	12 - 10		20 - 8	99510-10114	2 - 9				
90119-06M88	8 - 10	90480-25161	11 - 9	93210-48214	17 - 17		4 - 11				
90119-06ME0	14 - 15	90501-10064	17 - 38		21 - 7						
90149-05M13	13 - 17	90501-10260	8 - 3	93306-004YH	17 - 6						
90157-05811	19 - 5	90501-12802	14 - 6	93306-205YD	4 - 6						
90159-06M10	9 - 7	90501-23215	13 - 19	93420-22M03	16 - 13						
90161-05001	12 - 11	90502-08M05	15 - 30	93450-14088	3 - 8						
90167-03M02	12 - 9	90508-14M10	15 - 32	93505-16024	14 - 7						
90170-10M33	11 - 4	90508-14M11	15 - 33	93604-09066	17 - 25						
90185-08057	15 - 12	90508-16020	15 - 25	93604-12M07	15 - 46						
90201-08818	4 - 14	90508-16021	15 - 26	93604-18080	17 - 27						
	20 - 7	91490-16010	13 - 12		21 - 16						
90201-08M54	18 - 10		14 - 12	93700-06M03	16 - 6						
90201-105A2	11 - 5	91490-25030	18 - 9	94702-00248	2 - 23						
90201-11M49	17 - 33	91690-30008	15 - 29	95380-05600	9 - 28						
90201-266P2	3 - 2	92903-10600	13 - 18	95380-06600	15 - 16						
90202-08M58	15 - 10	92990-05600	14 - 11	95817-06012	4 - 27						
90243-04M01	15 - 8	92990-06300	18 - 4	95895-06010	15 - 34						
90266-04M05	15 - 42	92990-06600	15 - 15	95895-06012	18 - 3						
90269-02M09	13 - 15	92995-06100	9 - 31	95895-06016	17 - 18						
90280-04M06	11 - 3	92995-06600	2 - 21	95895-06020	15 - 24						
90340-08002	17 - 8		6 - 5	95895-06035	15 - 19						
90386-08032	13 - 20		9 - 3	97075-08025	13 - 9						
90387-06806	16 - 3		10 - 21	97075-08030	15 - 44						
	18 - 6		11 - 14	97095-06012	11 - 13						
90387-06M11	15 - 13		12 - 6	97095-06016	12 - 5						
90430-08800	2 - 5		16 - 5	97095-06020	2 - 20						
	20 - 2		17 - 13		10 - 22						
90430-08801	17 - 7	92995-08600	4 - 13	97095-06025	6 - 13						
	21 - 3		15 - 45		9 - 2						
90445-07805	6 - 8	93101-10M14	17 - 5		17 - 12						
90445-07806	4 - 4		21 - 2	97095-06030	9 - 30						
90445-09807	2 - 22	93101-13M12	17 - 16	97095-06035	10 - 20						
90445-10804	9 - 12		21 - 6		16 - 4						
90445-10805	9 - 33	93102-10004	4 - 18	97095-06045	17 - 26						

F4MHC/F4AMH
PARTS CATALOGUE
©2003 by Yamaha Motor Co., Ltd.
1st edition, March 2003
All rights reserved.
Any reprinting or unauthorized use
without the written permission of
Yamaha Motor Co., Ltd.
is expressly prohibited.
Printed in Japan.